

USA

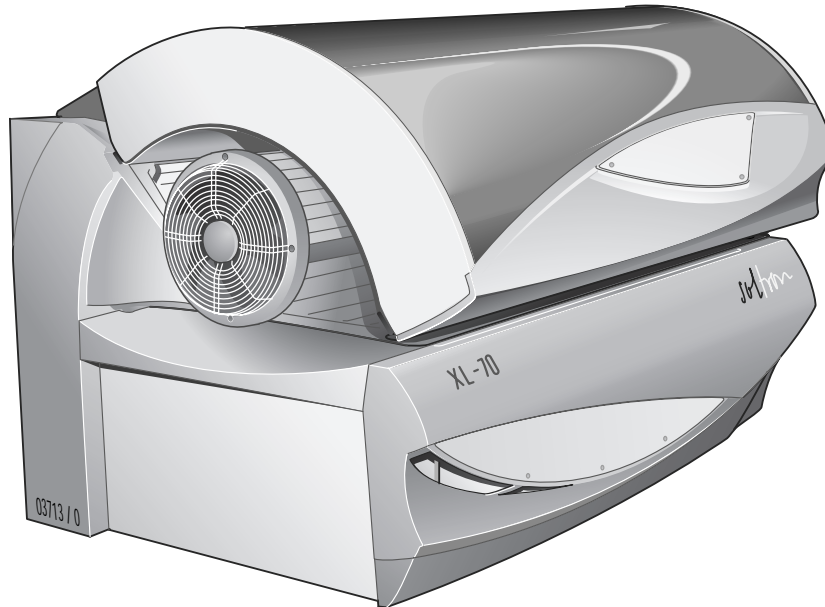
F

Soltron

834514 / Index „_“ / us / fr / 01.2005

OPERATING INSTRUCTIONS INSTRUCTIONS D'UTILISATION

**XL-70 Turbo Plus
VHP 12**



USA Identify your tanning device3

Table of Contents7

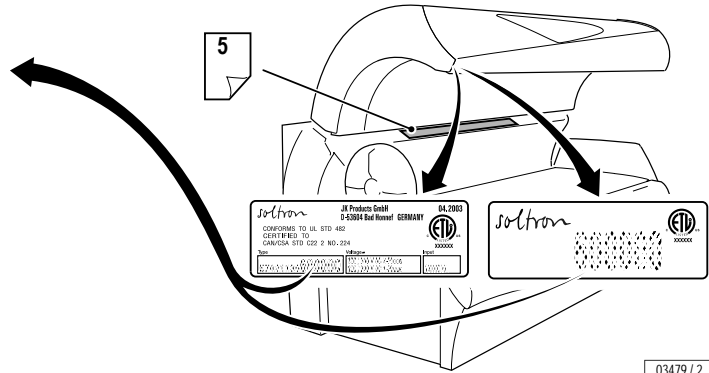
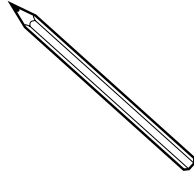
F Identifiez votre solarium89

Table de matières93

Identify your tanning device

For contact with Customer Services, please write down the device number of your tanning device.

--	--	--	--	--	--	--



03479 / 2

Global Service Division
#1 Walter Kratz Drive
Jonesboro, Arkansas 72401



☎ 1-800-445-0624

📄 1-870-935-9046

e-mail: support@jkamerica.com

Skin types

Skin types

For the recommended exposure schedule (see page 5).

Skin type I:

Always burns and never tans. Fair skinned people who always burn and never tan should not use this equipment.

Skin type II:

This is the individual that usually burns easily and severely, tans minimally or lightly and peels.

Skin type III:

Often referred to as "Average" complexion, burns moderately and tans about average.

Skin type IV:

This individual burns minimally, tans easily and above average with each exposure.

Skin type V:

This individual's system rarely burns, tans easily and substantially.

Tanning times Soltron XL-70 Turbo Plus, VHP 12 160W

DANGER ULTRAVIOLET RADIATION		Recommended Exposure Schedule					
Follow instructions. Avoid over-exposure as with natural sunlight. Over-exposure can cause eye and skin injury and allergic reactions. Repeated exposure may cause premature aging of the skin and skin cancer.		Week 1	Week 2	Week 3	Week 4	Weekly	
		1st - 3rd Treatments	4th - 6th Treatments	7th - 10th Treatments	11th - 15th Treatments	Subsequent Treatments	
Maximum Tanning Time is 12 Minutes		II - Fair	2 Min.	5 Min.	8 Min.	10 Min.	12 Min.
		III - Average	2 Min.	5 Min.	8 Min.	10 Min.	12 Min.
		IV - Brown	2 Min.	7 Min.	10 Min.	12 Min.	12 Min.
		V - Dark Brown	2 Min.	7 Min.	10 Min.	12 Min.	12 Min.

WEAR PROTECTIVE EYEWEAR! Failure to do so may result in severe burns or long term injury to the eyes.	This unit utilizes UVA lamps. Replace only with Soltron VHP 12 premium 160W turbo power, Soltron VHP 25W power (shoulder-/ neck-tanner) and JK Ergoline 500 SE C11292 (high pressure) or recognized equivalents. To obtain recommended exposure at a minimum distance of 1/2" (13mm) measured with a standard ruler, lie on acrylic surface of lounge and lower canopy. Canopy will stop at the correct distance from lounge acrylic surface.
Certain medications or cosmetics may increase your sensitivity to the ultraviolet radiation. Consult a physician before using sunlamps if you are using medication, have a history of skin problems or believe yourself to be especially sensitive to sunlight. If you do not tan in the sun, you are unlikely to tan from the use of this product.	
Warning: The use of any other position may result in overexposure!	

Tanning can begin on a regular basis. An appearance of tanning normally appears after a few exposures and maximizes after four (4) weeks of exposure following the recommended exposure schedule for skin type. In order to provide for maintenance of a tan a maximum of two (2) weekly 12 minute sessions is recommended from the fifth week onward.	Use protective eyewear (Part No. Schmerler 2255 Red or recognized equivalents) when equipment is on. Read and follow instruction booklet before using this product. To avoid electrical shock during maintenance disconnect power from unit.
Part No: 834619	



Note:
Description of skin types see Page 4.

05492 / 0

"This product is in conformity with performance standards for sunlamp products under CFR21 Part 1040."

Dear Customer,

The Soltron device you have purchased is a technically advanced and powerful product. Your device was manufactured with the greatest care and precision. It went through numerous quality and safety checks in order to guarantee trouble-free, safe operation. Nonetheless, you can also make a significant contribution to your long-term satisfaction with your device. Following the tips and instructions in the instruction manual will ensure you enjoyment and pleasure with your device.

If you have any questions, we are always available to answer them.¹⁾

Yours sincerely

Soltron Inc.

- Read and observe the information in this instruction manual. This will enable you to prevent accidents and provide you with a reliable device ready for use.
- Always observe current legal and other regulations and legal requirements as well as the applicable environmental protection regulations.



Note:

We reserve the right to make technical changes to the illustrations and specifications in this instruction manual.

Reprinting and reproduction, in whole or in part, of this manual is only permitted with our previous written approval and with the source specified.

1) ☎ 1-800-643-0086

Table of Contents

Table of Contents

Skin types	4	Operating instructions	23
Tanning times	5	Operation: overview	Fold-out page 24
Important safety notes and information	9	Accessories	25
Safety notices	9	Tanning	26
Intended use	10	Settings during start-up	27
Obligations of the studio operator	10	To interrupt tanning session	27
Instructions pertaining to a risk of fire, electric shock, or injury	11	Running time of accent lights	28
Instructions pertaining to a risk of damage to the machine	13	IR function	28
Meaning of symbols	14	Regulating face tanner	29
Guidelines	16	Switching shoulder tanner off and on	31
Export	16	Regulating air condition ¹⁾	32
Equipment	16	Regulating body cooling	33
Accessories	17	Regulating facial cooling	34
Product information	17	Selecting music channel	35
Maintenance and care	18	Adjusting volume	36
Cleaning	19	Technical Data	37
Environmental protection information	20	Maintenance instructions	41
General tanning instructions	21	De-energize device and secure against being switched on again ...	41

1) optional

Maintenance: overview	Fold-out page 42	Faults/Troubleshooting	78
Maintenance intervals, installed lamps and order numbers	44	Index	82
Relamping/maintenance instructions	48	Soltron – Limited Warranty	84
Cleaning/replacing UV low-pressure lamps in sunbed base	49	Timer operation	see separate manual
Cleaning/replacing UV low-pressure lamps in shoulder tanner	51		
Cleaning/replacing UV low-pressure lamps in side section	53		
Cleaning/replacing UV low-pressure lamps in canopy	54		
Cleaning/replacing interior lighting	56		
Cleaning/replacing UV high-pressure lamps/filter panels in side section	58		
Cleaning/replacing UV high-pressure lamps/filter panels in canopy	61		
Cleaning/replacing accent lights in canopy	64		
Cleaning/replacing accent lights in frontpanel	65		
Cleaning filters in sunbed base	66		
Cleaning/replacing filter mats in canopy	68		
Cleaning filter mats in shoulder tanner	69		
Air condition: Cleaning/replacing filter mat, emptying condensate con- tainer	71		
Presettings	73		
Changing presettings with the control panel	73		
Changing presettings with a hand-held unit	75		

Please read and observe ...

Important safety notes and information

Safety notices

Description of warning signs

Danger notices, damage to persons:



DANGER!

Type and source of danger, e.g. "DANGER – High voltage!"

Description of the consequences, e.g. "You can be killed or injured by an electric shock!"

Countermeasures:

- Disconnect device from power supply before opening.
- Do not reach into the inside with the device switched on.

Warning notices, damage to persons:



WARNING!

Type and source of danger, e.g. "Warning – hot surface!"

Description of the consequences, e.g. "You can burn your hand (skin, face)!"

Countermeasures:

- Do not touch hot parts and nearby surfaces.
- Wait until hot parts and surfaces have cooled down.

Caution notices, damage to property:



Caution!

The word "Caution" with this label points out that danger for devices, materials and the environment can be expected here.

Important information:



Note:

This symbol does not identify safety notices, but states information for a better understanding of the processes.

Intended use

The tanning device is intended exclusively for cosmetic tanning of the human skin.

- The device is meant for commercial use only, not for home use.
- This device is used for tanning one adult person at a time.
- The user wears suitable eye protection that blocks UV radiation during tanning.

Any other use shall be considered improper. The manufacturer cannot be held liable for damage or injuries resulting from this. The operator bears the sole risk for this.

The proper use also includes compliance with the manufacturer's instructions, operating and maintenance conditions. This device may only be operated, maintained and repaired by persons familiar with these tasks and who have been informed of the dangers involved.

Obligations of the studio operator

- As the operator you are responsible for informing users on possible risks during tanning.
- All danger and safety labels attached to the device must be observed! Do not remove them!
- No safety equipment (e.g. panel switch) may be removed or deactivated which can impair the safe operation of the device!
- The device may only be operated in a serviceable condition!
- The operator is bound to ensure that the equipment is handled correctly.

Please read and observe ...

Instructions pertaining to a risk of fire, electric shock, or injury



DANGER!

DANGER – High voltage!

You can be killed or injured by an electric shock!

Assembly and electrical connection must comply with national and local regulations.

- The device may only be assembled, installed, upgraded or repaired by specially trained and instructed personnel.



WARNING!

WARNING – ultraviolet radiation!

Unprotected tanning may result in eye injury and eye diseases.

The unprotected eye can become inflamed on the surface, and in certain cases the retina can be damaged by excessive radiation. Cataracts can form after frequently repeated exposure to radiation.

- Inform users to close their eyes during tanning and use the included protective goggles that block UV (Order No. 84592¹⁾).



WARNING!

WARNING – ultraviolet radiation! Follow instructions!

Failure to use protective eyewear may result in severe burns or other eye injury. If discomfort develops, discontinue use and consult a physician.

- UV devices must not be used without taking medical advice if unexpected effects, such as itching, occur within 48 hours of the first session.
- As with natural sunlight, overexposure can cause eye and skin injury, sunburn, and allergic reactions.
- Repeated exposure may cause premature aging of the skin and skin cancer.
- Medications or cosmetics applied to the skin, may increase sensitivity to ultraviolet light.
- A person who does not tan in the sun most likely will not tan from the use of this device. Persons with very sensitive skins (skin type I) must not use the unit, as with this skin type tanning is impossible without damaging the skin (e.g. sunburn).
- A person having a history of skin problems should consult a physician before use.
- Overexposure should be avoided.
- The elderly should not use this equipment.

1) *Global Service Division* – see page 3.

**WARNING!****WARNING – ultraviolet radiation!**

Danger of long-term consequences.

- Nursing infants and small children through age 7 years may not use this device.
- The following applies to minors under the age of 18 years: Only use tanning devices in agreement with a parent or guardian, or after consulting a physician.
- While there is no immediate clinical evidence of UVA exposure and its effects upon expectant mothers, it is strongly advised that expectant mothers be discouraged from using the tanning unit.

**WARNING!****WARNING – risk of infection!**

Infections can be transferred through skin contact.

All items/equipment components, with which the user can come into contact during tanning, must be disinfected after every tanning session:

- Protective goggles
- Headrest
- Acrylic sunbed
- Handles and control panel

**Note:**

Occasionally, persons using the tanning device will experience a slight reddening of the skin – usually in small patches – after the second or third session. This redness is often accompanied by an itching sensation. This may be nothing more than a heat “rash” caused by heat from the lamps within the device. It is generally very limited and caused by constant contact of the skin with the acrylic surface. It should go away within approximately 24 hours and should not reappear. This rash can be lessened or prevented by applying moisturizer lotion to the affected area after the tanning session is completed.

- Follow instructions.
- The time between two tanning sessions must be at least 24 hours.
- Increasing tanning also requires an extension of the exposure time (= radiation time) or after a certain degree of tanning has been achieved, a further intensification is not possible. However, the radiation time may not be extended as desired within the scope of the permissible radiation doses! Therefore, only a certain degree of final tanning dependent on the skin type can be achieved without endangering your health.
- Inform users about proper tanning – see page 21.

Instructions pertaining to a risk of damage to the machine



CAUTION – danger of overheating!

Danger of overheating by obstruction of the air routing.

- Do not change, obstruct or block the air inflow and outflow area to the device or make any unauthorized changes to the device. The manufacturer shall bear no liability for damage or injuries resulting from such actions.
- Before putting a tanning device into operation, the transport pallet must be removed from under the device.

Meaning of symbols

General symbols



Inform Customer Services



Soltron key



Do not touch, hot surface!



Suction cup



Low-pressure lamp(s)



UV low-pressure lamp(s)



Starter for low-pressure lamp(s)



UV high-pressure lam(s)



Filter panels

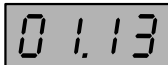


Cleaning and disinfectant agents



Part/item number (for orders)

Operation



Display of tanning time



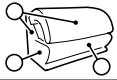








Display of run-on time (fan run-on)



Fault display (example)

Please read and observe ...

	Display of Music Channel 1 (Channel 1) Factory setting: 1 channel Customer service can set up to 7 channels
	Display when adjusting volume
	Description
	Accent lights
	Press button
 e.g. 2s	Press button for 2 seconds
	Duration: 3 minutes
	Loudspeaker
	Headphone connection

Technical Data	
Maintenance	
	Caution, safety switch!
	Unscrew/release screw
	Tighten/lock screw
	Cleaning
	Replacing
 	Clean or replace depending on soiling
	Draining

Please read and observe ...



Visual inspection



Air condition



Filter



Continuation of work steps on next page

End of work step

Guidelines

This device was built conforming to UL STD 482, and is certified to CAN/CSA STD C22.2 2 No. 224.

Export

We would like to point out that these devices are exclusively intended for use in the USA and Canada and may not be exported to other countries and operated there! The manufacturer assumes no liability whatsoever in the event of non-compliance! We explicitly emphasize that high liability risks may occur for the exporter and/or the operator in the event of non-compliance.

Equipment

The equipment of the devices differs depending on the model.

In this instruction manual all standard and optional components/functions are taken into account which must be observed during operation and/or when performing maintenance.

The control panel is also affected by the differing equipment: Only those buttons are visible that can be operated, i.e. the corresponding function must be part of the equipment of the device.

Please read and observe ...

Accessories

Some accessory parts are taken into account in the maintenance schedule beginning on Page 44, however this does not automatically mean that your device is provided with this equipment (e.g. Air Condition).

An overview of the possible accessories is provided in the sales documentation.

Product information

Acrylic glass panels

The acrylic glass panels for the tanning devices are produced of acrylic glass developed especially for this application. The acrylics used are characterized by a particularly high UV permeability and resistance, as well as an easy-care, hygienic surface that is gentle to the skin.

The acrylic glass panels are formed to their shapes for the specific devices in a technically complex production process. Despite state-of-the-art production know-how, the presence of minor spots, air bubbles or streaks in the acrylic panels is unavoidable. In addition, microfine hairline cracks can occur on the bed surface during operation.

These occurrences are material-dependent and are unavoidable in processing, however have no significant effect on the utility value and can therefore not be recognized as defects.



CAUTION!

Cosmetics or sun screen products must be removed prior to tanning as they can cause damage (e.g. cracks on the surface) when used continuously.

Maintenance and care



DANGER!

Extreme danger! High voltage!

During maintenance work there is a risk of touching live parts and receiving a fatal electric shock.

- Disconnect device from power supply before opening – also see Page 41.
- Do not reach behind covers and do not open the device with the device switched on.
- Refit any safety devices (e.g. switches) after the work has been completed.

Maintenance and care play a major role in deciding whether the device meets the requirements placed on it in a satisfactory manner. The compliance with the specified maintenance intervals and the careful conducting of the maintenance and care work are therefore absolutely necessary – see Page 42.

The current operating hours of the parts requiring maintenance can be displayed in the Presetting mode – see Page 73 ff.



CAUTION!

Only use genuine spare parts of the same type!

The use of other parts voids the conformity!

Any liability is excluded in case of damage or injury proven to be the result of the use of non-genuine spare parts.

Please read and observe ...

Cleaning

Acrylic glass surfaces



CAUTION!

Do not rub with a dry cloth – danger of scratching!

Use the specially developed Antifect® fast disinfecting cleaner for quick and correct hygienic cleaning of acrylic glass surfaces.

Other cleaning agents such as concentrated disinfectants or solvents (e. g. Lysoform, ethyl alcohol or other liquids containing alcohol) must never be used for cleaning.

Failure to observe this voids all warranty claims.

Plastic surfaces

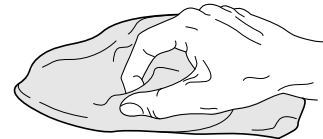
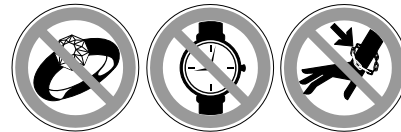
For cleaning the other plastic surfaces, it is best to use warm water and a leather cloth. Never use aggressive cleaning agents containing alcohol or essential oils. These may lead, in the long run, to damage not covered by the warranty.

During cleaning, a slight discoloration of the leather cloth by the rubber seals must be expected for production-related reasons.



Note:

Prevent damage to plastic surfaces. Remove rings, watches, bracelets etc. before the start of cleaning work.



02756 / 0



Please read and observe ...

Environmental protection information

Environmental Declaration – The JK Corporate Group

The JK corporate group is subject to the strict regulations of EC Directive 761/2001 and the ISO 14001 standard, and undergoes regular internal and external environment audits performed by trained auditors.

Environmental regulations – disposal of lamps

UV low-pressure lamps and UV high-pressure lamps contain fluorescent materials and other waste containing mercury.

According to the national waste disposal laws and in accordance with the municipal waste regulations, proof must be provided of the proper disposal of UV lamps.

Your local environmental agency will be happy to assist you with the disposal of UV lamps.

Packaging

All packaging consists of 100 % recyclable materials. Packaging brought into circulation by the JK Corporate Group that is no longer required can be returned to the JK Corporate Group. Your agency partner or dealer will be happy to advise you.

Disposal of recyclable materials

The device has been produced of recyclable materials. When being scrapped later, the device must be disposed of properly. Soltron will provide you with information on the content or potential hazards of the materials used.

Please read and observe ...

General tanning instructions

Who can get a tan?

Anyone who also gets a tan in natural sunlight. Persons with sensitive skin even tan more pleasantly and with fewer worries, as the radiation dosage can be exactly defined with sunbeds.

Certain drugs – particularly those that produce photosensitivity – may cause individuals under the influence of this type drug to experience adverse effects and those people should avoid exposure to UV sources of all kinds. Doctors will advise people taking these drugs to possible adverse effects.

The speed and intensity with which someone tans are dependent on the skin type and the individual melanin quantity in the skin. No two individual skin tones are the same. A tan to one person may be different to another and treatment length may vary.

What is Melanin?

The brownish pigment produced by special cells in the base layer of your skin determines the individual's tan. As the skin is exposed to the ultraviolet light, the melanin is activated and combines with protein cells that rise to the skin's surface, thus producing a tan. The amount of melanin in your body determines how quickly and dark you tan. The more melanin produced and exposure time an individual has, the faster and deeper the individual will tan.



Note:

The tan produced by the tanning unit is a deep, rich "Cosmetic" tan. However, regardless of how dark an individual may tan on his system, it will not provide adequate protection against overexposure to natural sunlight or UVB tanning systems.

Which tanning times are recommended?

Although there is virtually no reason to worry about sunburn with the UV tanning method, some consideration should initially be given to individual skin sensitivity.



DANGER!

Danger of skin injuries and skin diseases!

Although UVA radiation is relatively harmless compared to natural sunlight, excessive tanning times can lead to the skin becoming red and to burns.

- Comply with the recommended tanning times, see Page 5.

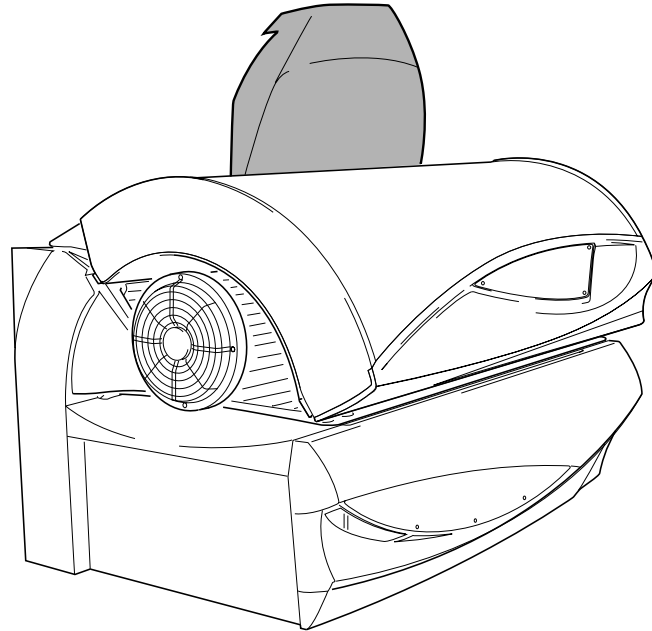
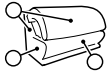
Once you have a tan, 1 to 2 tanning sessions per week are usually sufficient to maintain it.

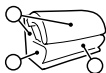
Should you use sun screen?

No! It is recommended to not use sun screens, oils or lotions intended for outdoor use. Cosmetic sun screens with a sun protection factor (SPF) are intended to filter out the sun's aggressive rays. However, the light of our sunbeds only contains extremely small quantities of comparable rays, making this kind of protection unnecessary. On the contrary, the skin should be thoroughly cleaned and dried before each sunbath. Many facial makeups have oil bases and should be removed prior to a session.

Adequate ventilation of the room or booth housing the tanning device is required for proper and comfortable operation. Your tanning device will perform best at the ambient temperature of 75 °F to 90 °F.

It is recommended that, following a tanning session, a skin moisturizer be applied. This promotes a smoother, more even looking tan.





Tanning

Start and end of tanning

The device is started automatically with an internal or external timer and automatically stopped after the preselected time. The fan continues to run for approx. 3 minutes (fan delay) to sufficiently cool the device.



Note:

Timer instructions: see separate manual.

Preparation time

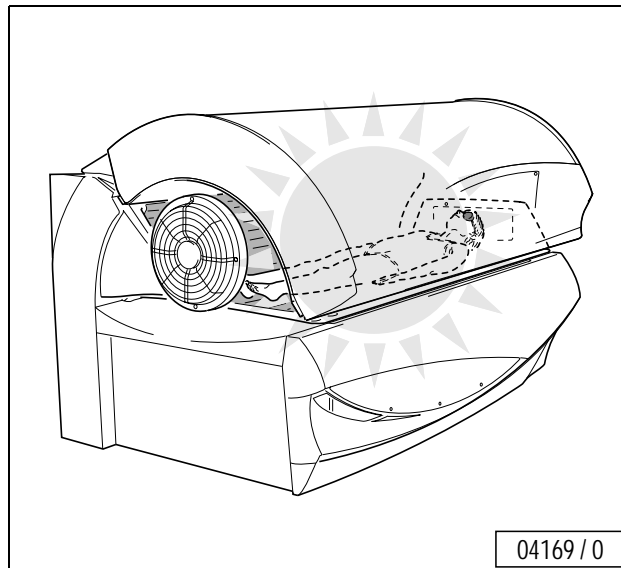
Before the UV lamps automatically go on, you have a few minutes to prepare yourself. During the preparation time you can switch on the UV lamps at any time by pressing the START/STOP button.

- Remove your clothes and all jewelry.
- Remove make-up and other cosmetics.
- Remove glasses. Contact lenses can be worn under the protective goggles.
- Put on the protective goggles.
- Lie down on the bed surface.
- Close the canopy.

Depending on the controller, the tanning device starts up after a short time automatically. The tanning device is operating when the UV lamps are on and the fans are running.

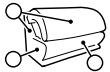
If the device fails to start up when you have closed the canopy:

- Press START/STOP to start tanning.

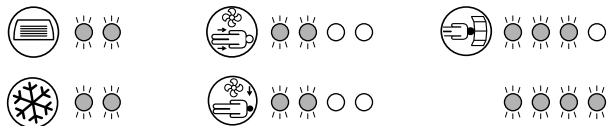
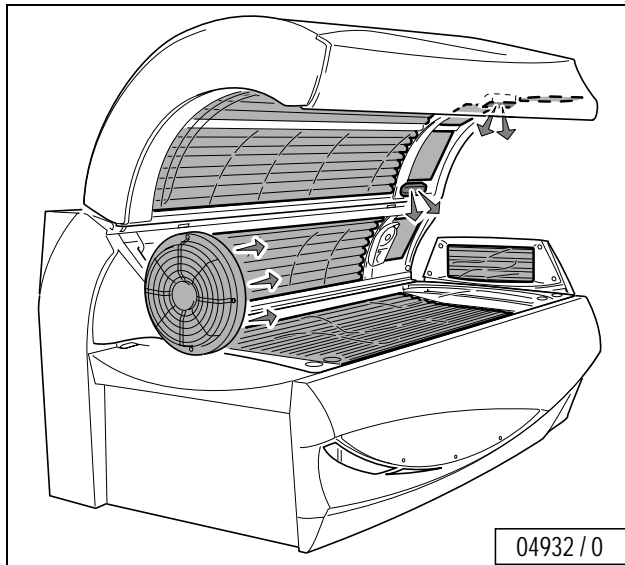


04169 / 0

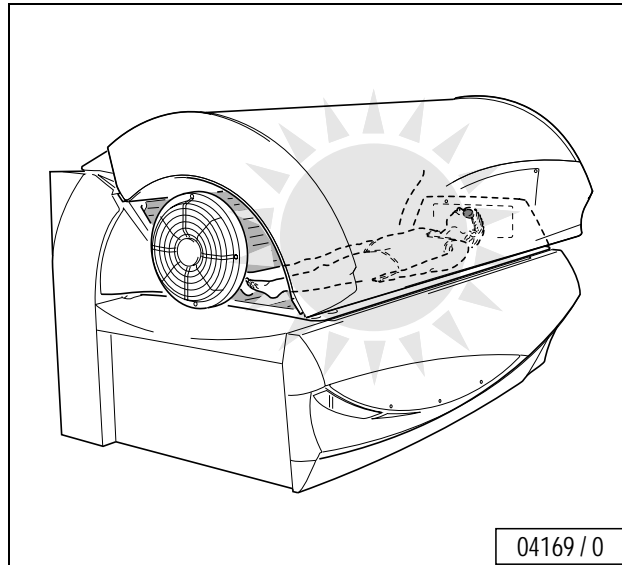




Settings during start-up



To interrupt tanning session



The tanning time can be interrupted during tanning by switching off the UV lamps:

- Press START/STOP for three (3) seconds to pause or stop tanning.
- Press START/STOP again for three (3) seconds to restart the lamps.

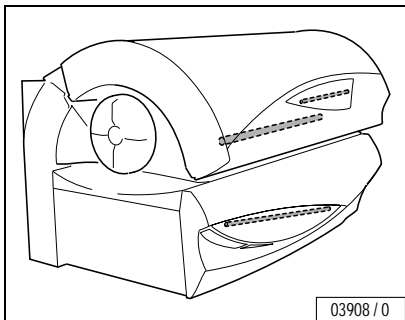
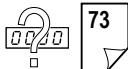
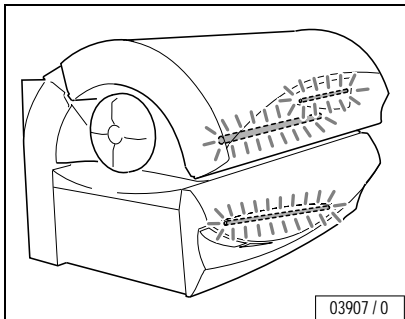


Operation





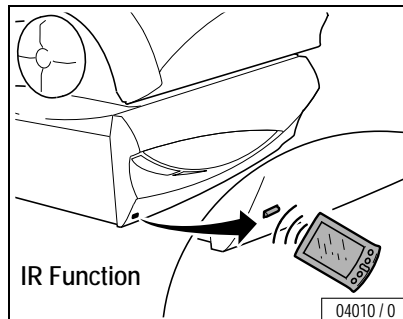
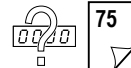
Running time of accent lights



The accent lights are running during and after the tanning session and are automatically switched off at the end of the predefined time.

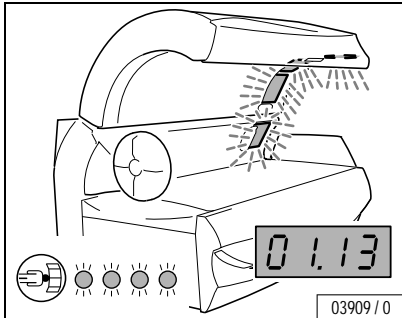
The running time of the accent lights in the Standby mode can be changed with the presets – see from Page 73 on.

IR function

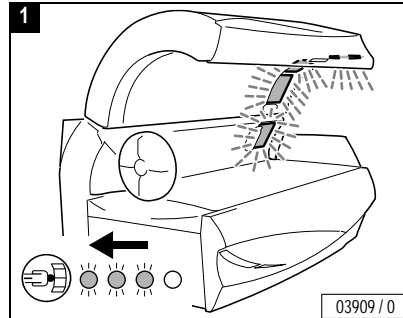




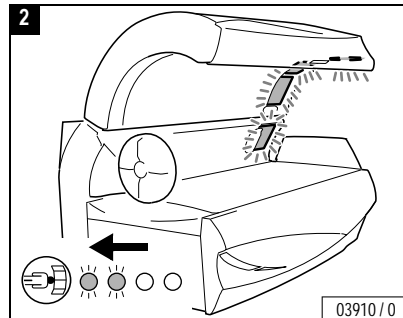
Face tanner



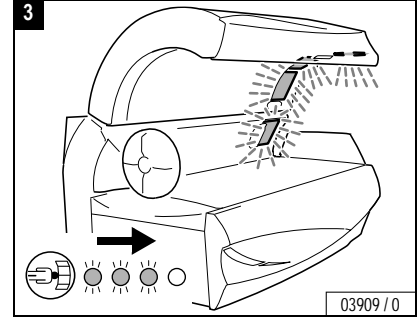
03909 / 0



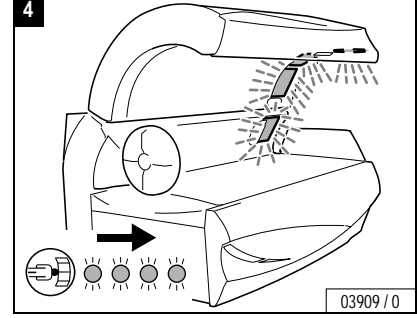
03909 / 0



03910 / 0



03909 / 0




03909 / 0

Operation

Switching the face tanner OFF:

– Press button  for two (2) seconds.

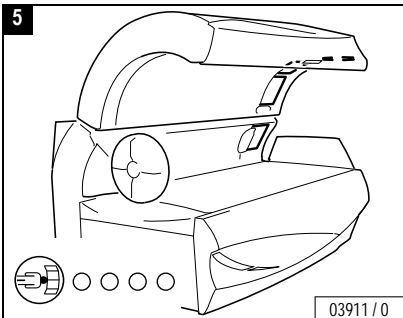
Switching on face tanner again:

– Press button  again. It takes approx. one (1) minute until the face tanners reach their full output.

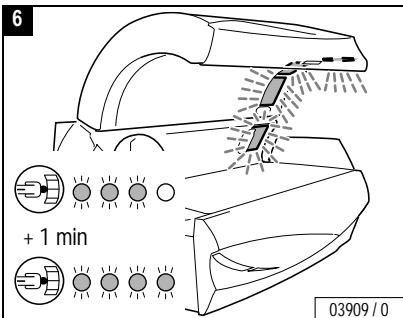
...



Press for two (2) seconds.

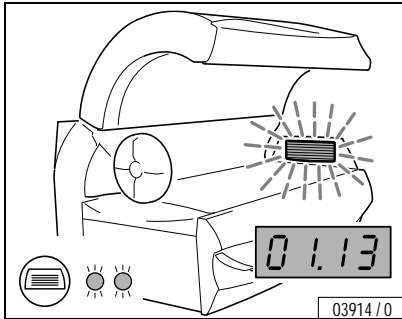


One (1) minute delay.






Shoulder tanner



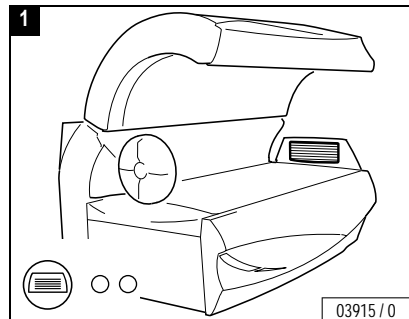
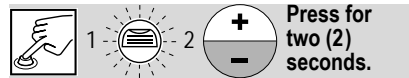
03914 / 0

Switching the shoulder tanner OFF:

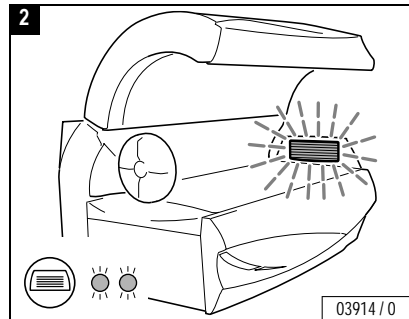
- Press button .
- While the button flashes, press the minus button for two (2) seconds to switch the shoulder tanner off.

Switching the shoulder tanner on again:

- Press button .
- While the button flashes, press the plus button to switch the shoulder tanner on.



03915 / 0

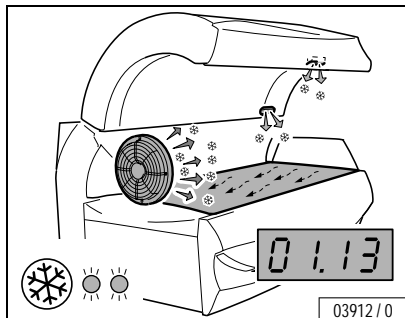


03914 / 0






Air condition




03912 / 0

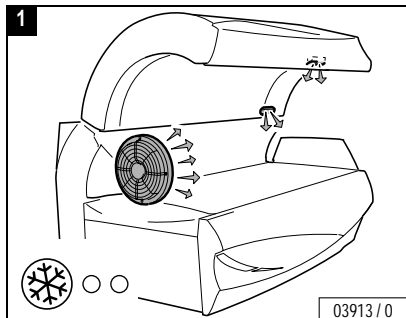
During start-up the air condition is active.

Switching the air condition OFF:

- Press button .
- While the button flashes, press the minus button for two (2) seconds to switch the air condition off.

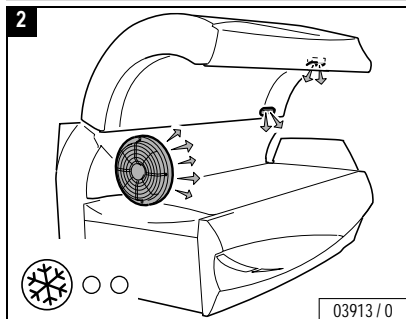
Switching on air condition again:

- Press button  again. While the button flashes, press the plus button. It takes approx. 3 minutes until the cooling effect of the air condition is reestablished.

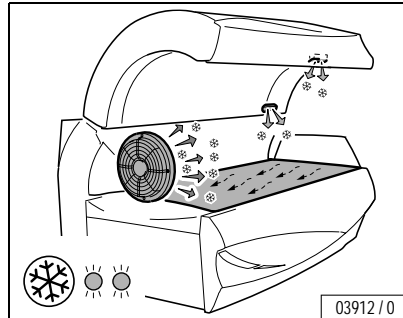


03913 / 0

Three (3) minutes delay.



03913 / 0

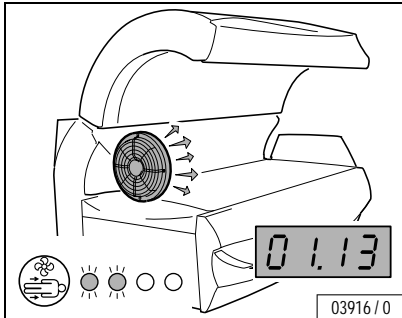



03912 / 0

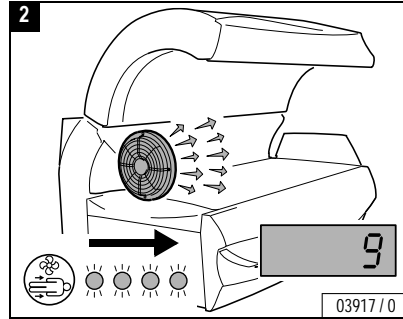
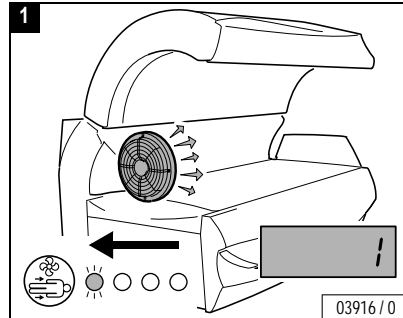




Surround cooling body ventilator – Adjust speed



- Press button .
- While the button flashes, press the plus or minus button to change the intensity of the air stream.

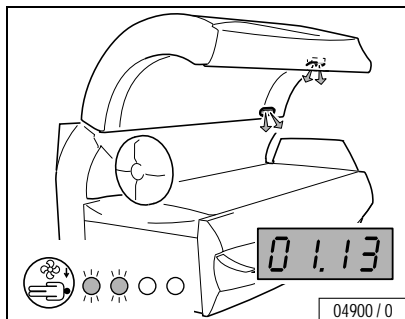





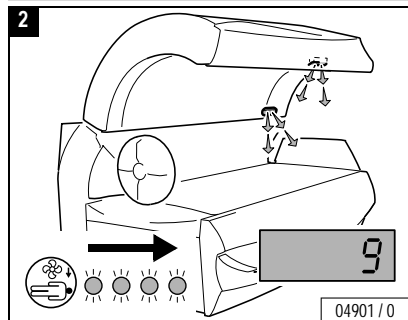
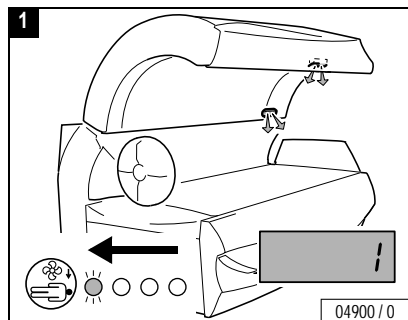
Surround cooling head nozzles – Adjust speed



Operation

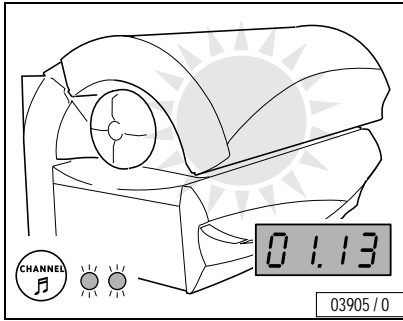


- Press button .
- While the button flashes, press the plus or minus button to change the intensity of the air stream.

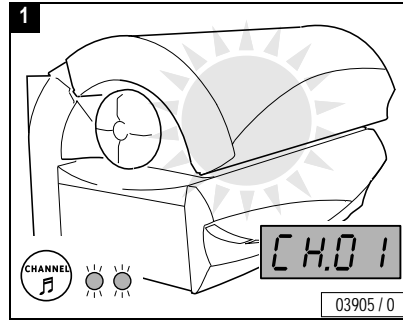
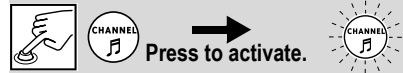




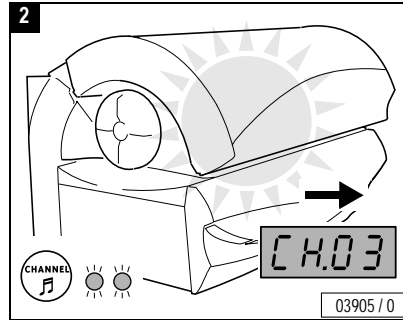
Channel



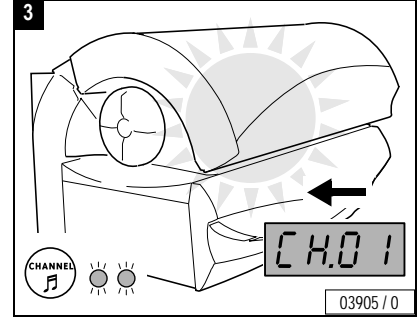
03905 / 0



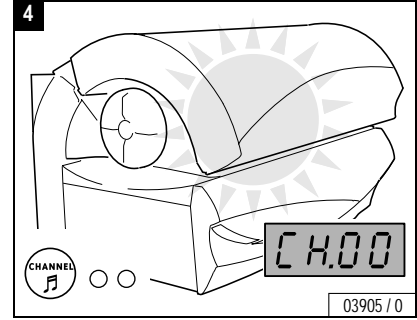
03905 / 0



03905 / 0



03905 / 0



03905 / 0

- Press button

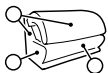
- While the button flashes, press the plus or minus button to select a channel.

CH.00 means: no Channel selected, there is no sound, music is "OFF".

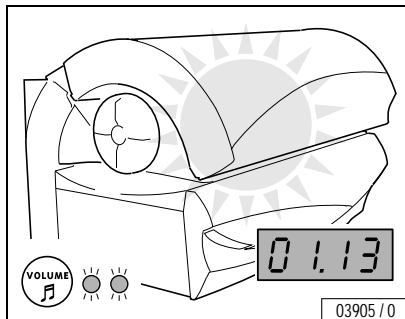


Operation

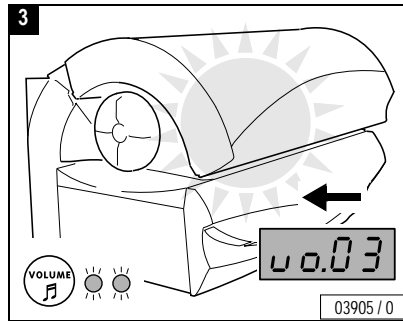
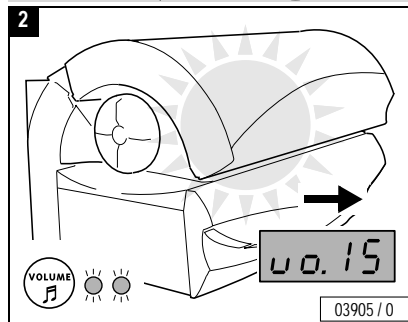
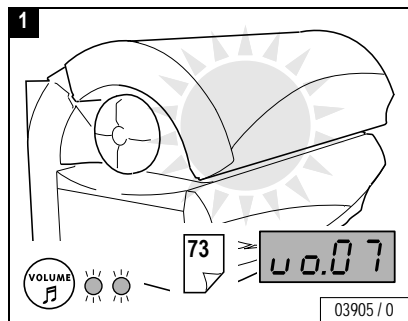




Volume



- Press button .
- While the button flashes, press the plus or minus button to change the volume.

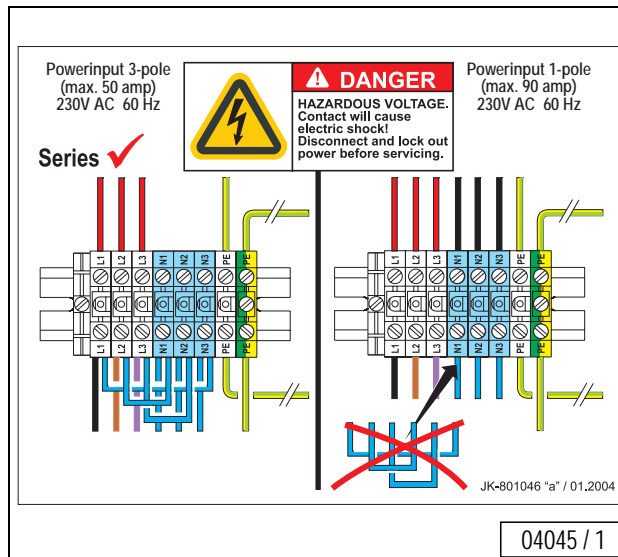




Technical data

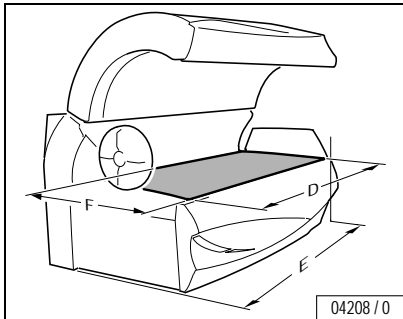
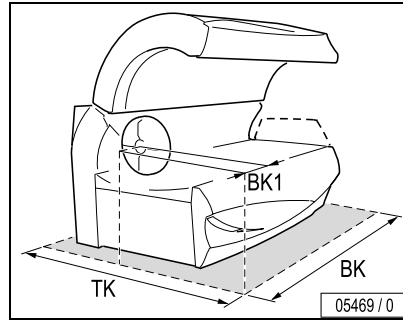
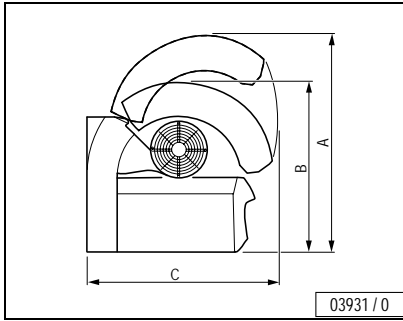


Model:	Soltron XL-70 Turbo Plus
Rated power consumption:	13,900W
	15,000W
Rated voltage:	230 V
Rated frequency:	60 Hz
Rated fusing:	60 amp 3-pole 80 amp 2-pole
Conformity mark:	





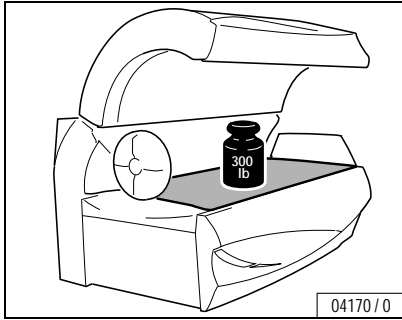
Bed tolerance in room



A = 1740 mm	A = 68 1/2 in
B = 1360 mm	B = 53 9/16 in
C = 1430 mm	C = 56 5/16 in
D = 2040 mm	D = 80 5/16 in
E = 2340 mm	E = 92 1/8 in
F = 900 mm	F = 35 7/16 in
BK = 2500 mm	BK = 8 1/2 ft 100 in
TK = 2300 mm	TK = 7 1/2 ft 90 in
BK1 = 100 mm	BK1 = 3 15/16 in



Maximum permissible load

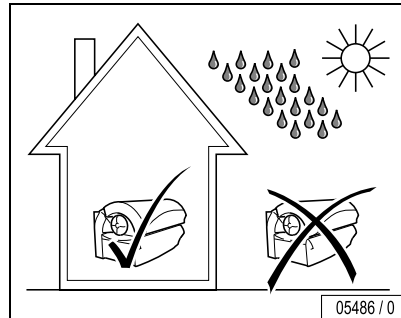
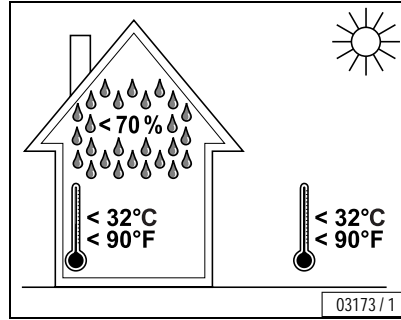


Warning – possible breakage of the acrylic panel!

WARNING! Severe cuts from glass and burns from hot lamps may result.

- Only one adult person is allowed at the same time.
- People that weigh more than 300 lbs must not use the device at all.

Maximum room temperature / Humidity







Scheduled cleaning

USA

	① - ⑪	⑬ 	
Clean if necessary!	⑪ 		
	③ 		

Maintenance



Scheduled maintenance – filters

/50 h	⑤ 4 x		51 937		66
	⑨ 2 x		800 601		68
	⑫ 1 x		51 975		71
	② 2 x		800 278		69



Scheduled maintenance – accent lights



	<p>a) 1 x white 13 W</p> <p>b) 1 x white 30 W</p> <p>c) 1 x blue 30 W</p> <p>a) b) 3 x S10</p> <p>c) S10</p>		12408	64
			12195	65
			12377	65
			10047	





Scheduled maintenance – UV lamps, starters

XL-70 Turbo Plus				
	500 h	a) b) c)		45
		d) 4 x	Ergoline 500 W	11292 58, 61
		f) 19 x	Soltron VHP 12 160 W Turbo Power	12558 49
		g) 8 x	Soltron VHP 12 160 W Turbo Power	12558 53
		h) 24 x	Soltron VHP 12 160 W Turbo Power	12558 54
		e) 7 x	Soltron VHP 25 W power	12597 51
	1,000 h	f) g) h) 51 x	S12	10012
		e) 7 x	S10	10047
	3,000 h	d) 4 x	ultra ViT 2.4 PLUS	704288 58, 61



The UV high-pressure lamps used, Ergoline 500 W (face tanner), are broadband radiators that can be operated with different wattages (approx. 240-520 W).



UV low-pressure lamps: Clean with plain water (damp cloth).



Filter panels: Clean with plain water (damp cloth).





1,500 h	④		700 711	49
3,000 h	③		800 665	49



Relamping / maintenance instructions

It is imperative that you, the owner and/or operator, check all components for any signs of wear which may occur through normal use.

- Observe the cleaning and maintenance schedule specified in the maintenance table on Page 42 to 47.
- Only replace UV low-pressure lamps with the original lamp type or with compatible lamps.
- Only replace UV high-pressure lamps with the original lamp type or with compatible lamps.

Should you require any assistance or need additional information, please call Global Service Division at 1-800-445-0624, Monday through Friday 8:00 a.m. - 7:00 p.m. (CST).



CAUTION – Damage due to improper maintenance!

Improper maintenance can cause the device to be damaged or to become unusable.

- Always comply with the specified maintenance intervals.
- Follow the cleaning instructions.
- If the maintenance intervals for the UV lamps are exceeded or incompatible UV lamps are installed, the share of harmful UVB radiation may increase. Sunburn and other skin damage may result.



Danger of burns from hot lamps and device parts

WARNING! If the tanning device was operated before being switched off and opened, lamps and housing parts may be hot.



– Before replacing lamps or other spare parts, wait until lamps and metal parts of the device have cooled down sufficiently.



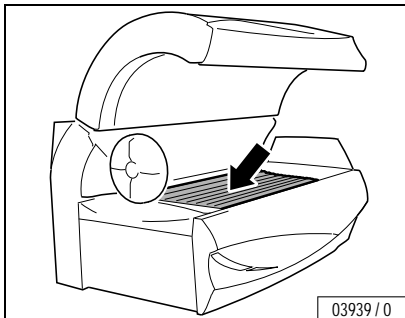
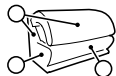
Danger of pinching!

When opening and closing the tray, panels and covers, you can pinch your fingers.

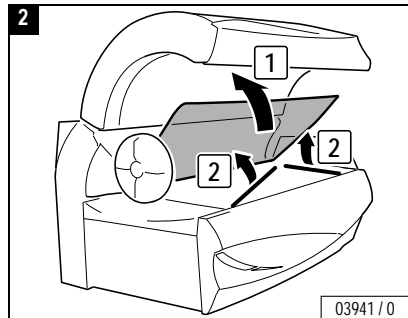




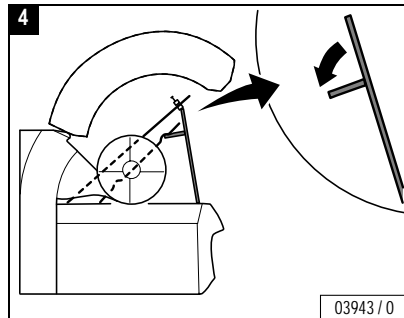
UV low-pressure lamps, lower section



03939 / 0



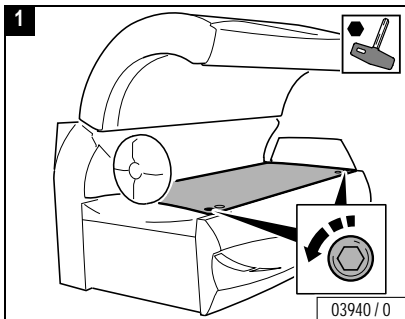
03941 / 0



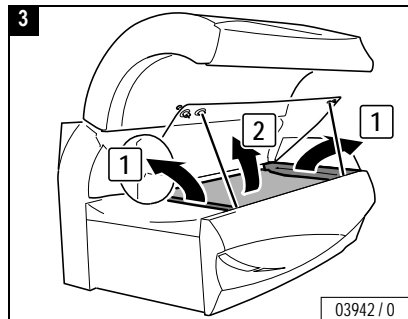
03943 / 0



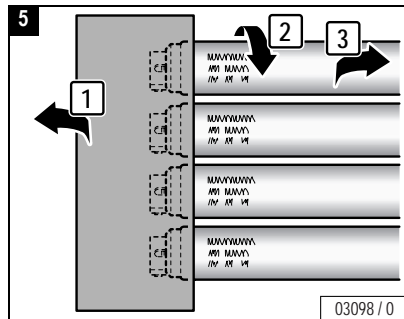
De-energize device!



03940 / 0



03942 / 0



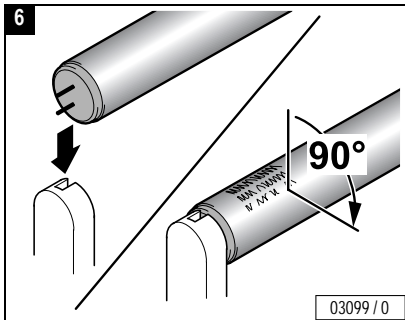
03098 / 0

Maintenance

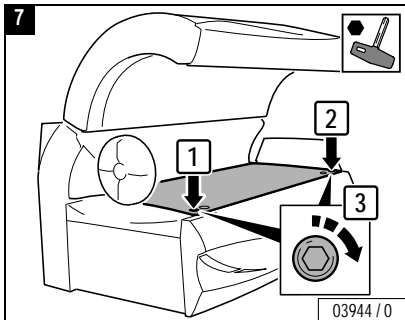
...



Maintenance

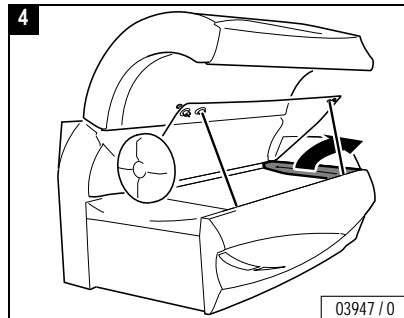
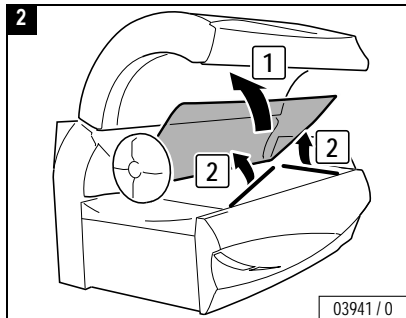
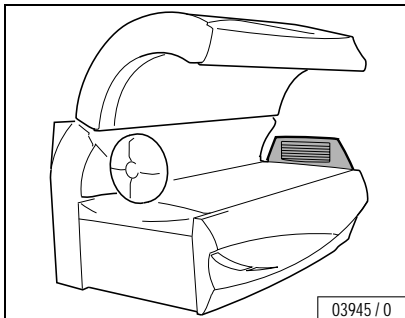
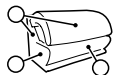


Close:

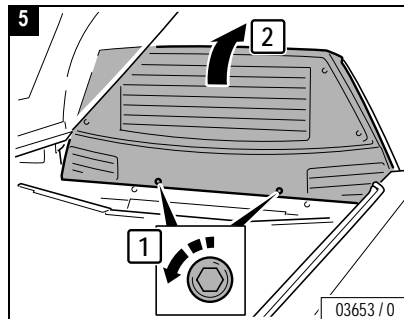
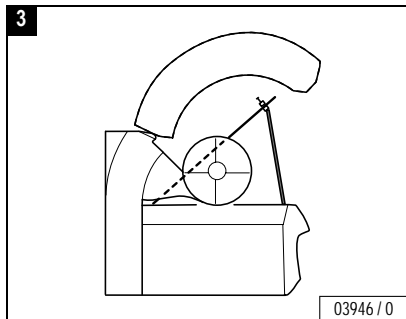
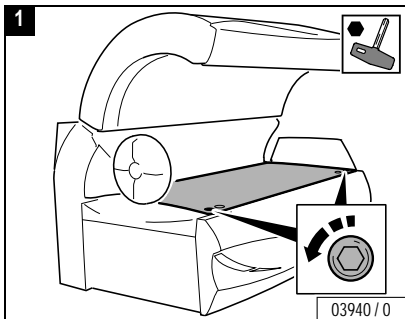




UV low-pressure lamps, shoulder tanner



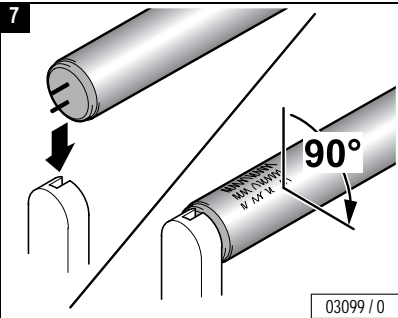
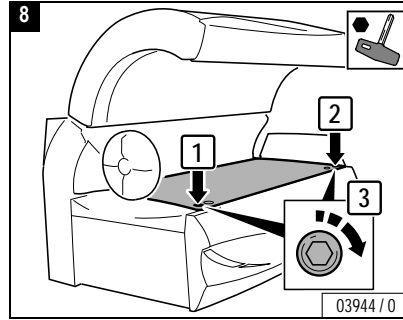
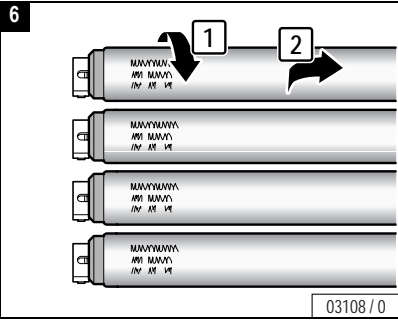
De-energize device!



Maintenance 



Close:

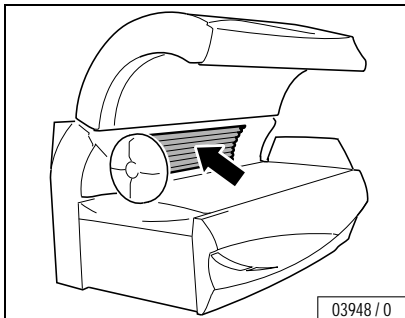
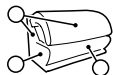


Maintenance

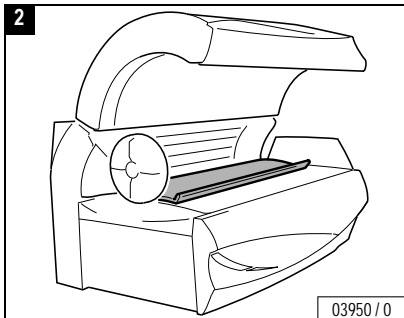




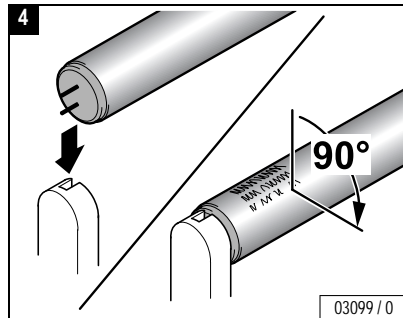
UV low-pressure lamps, side section



03948 / 0



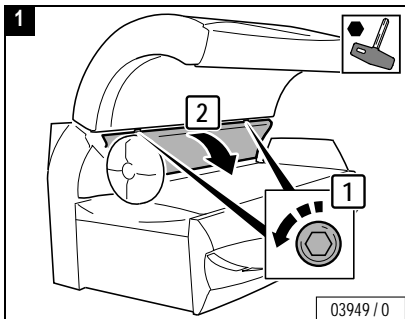
03950 / 0



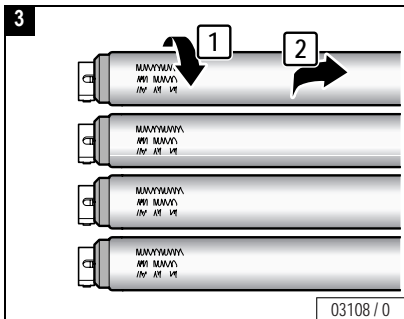
03099 / 0



De-energize device!

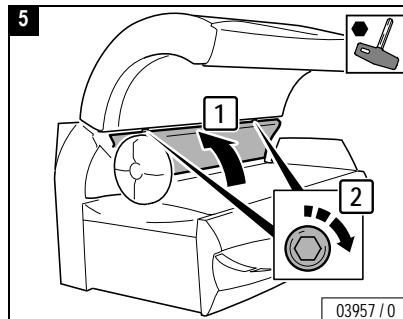


03949 / 0



03108 / 0

Close:



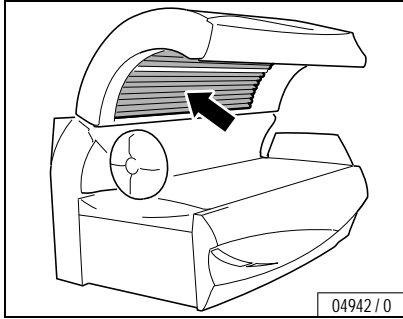
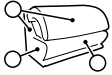
03957 / 0

Maintenance

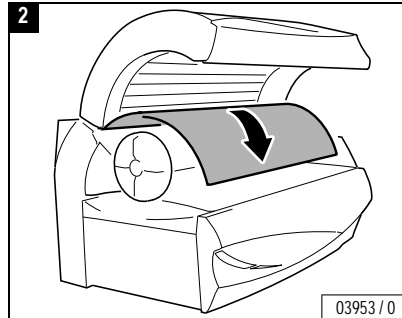
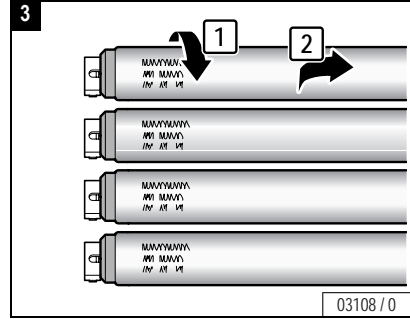
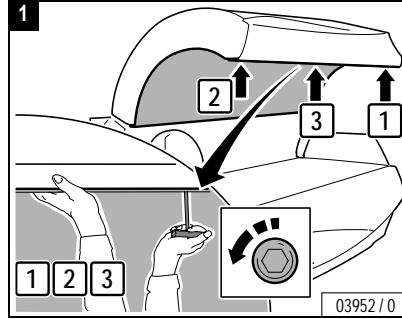




UV low-pressure lamps, canopy



De-energize device!



Danger of injury from the canopy panel!

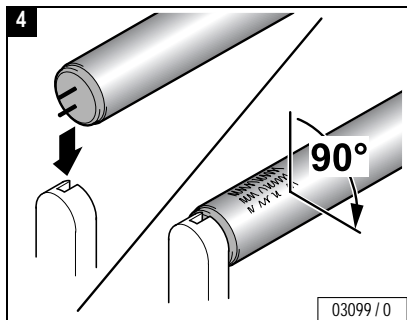
WARNING! The canopy panel is heavy and falls down by itself after unscrewing the 3 screws.

- Support canopy panel.
- Loosen screws in the specified order.

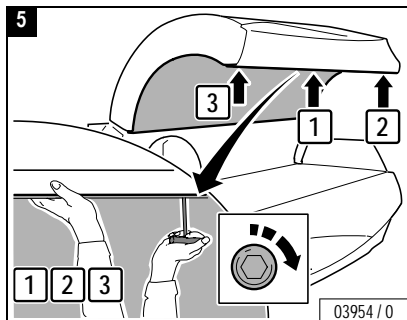


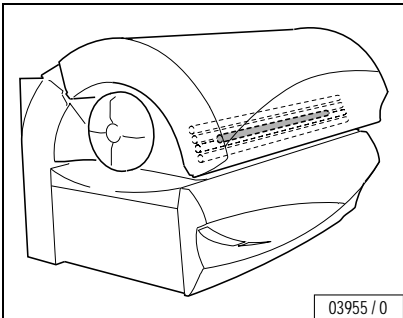
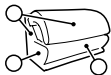
Maintenance

...

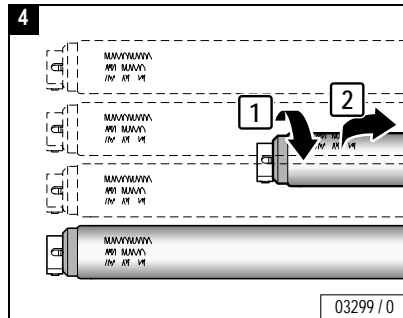
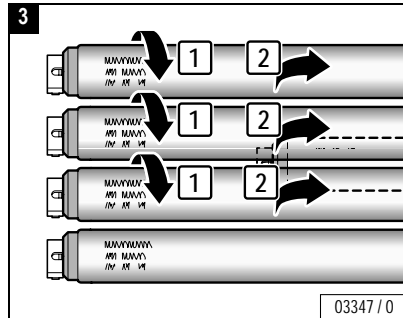
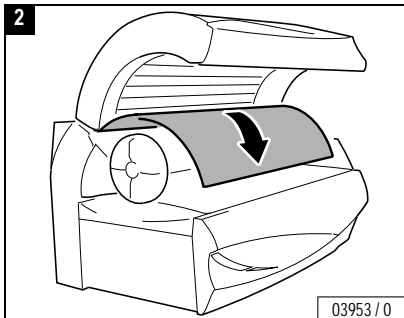
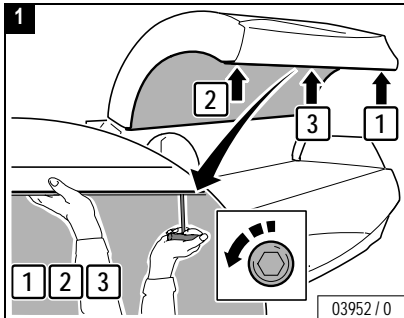


Close:





De-energize device!



Maintenance

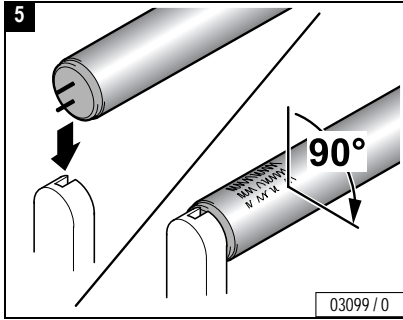


Danger of injury from the canopy panel!

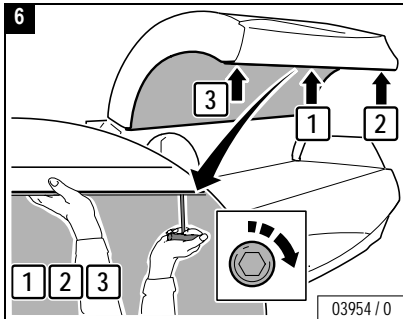
WARNING! The canopy panel is heavy and falls down by itself after unscrewing the 3 screws.

- Support canopy panel.
- Loosen screws in the specified order.

...

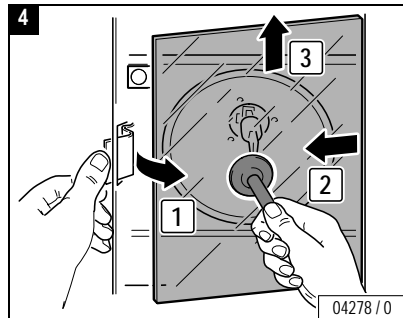
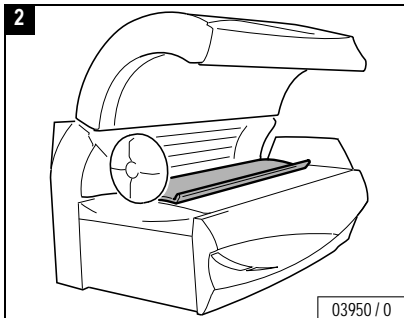
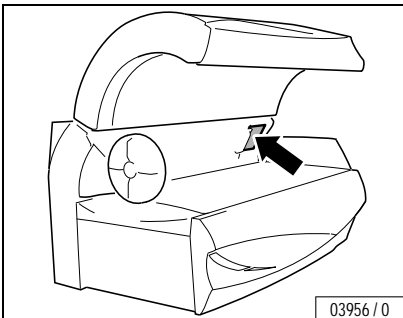
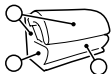


Close:





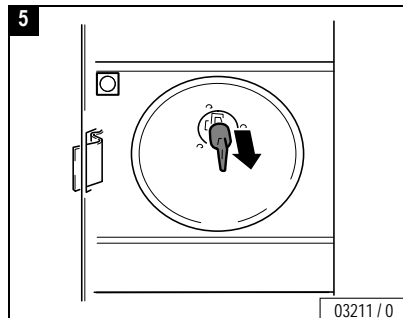
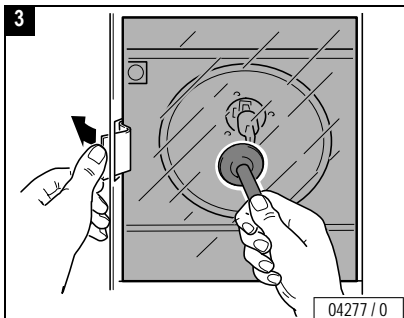
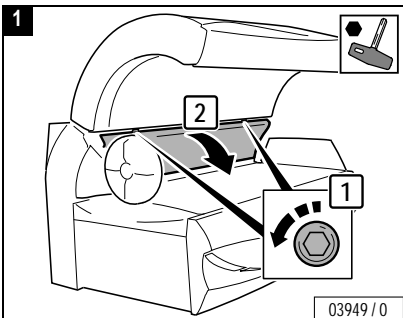
UV high-pressure lamps, side section

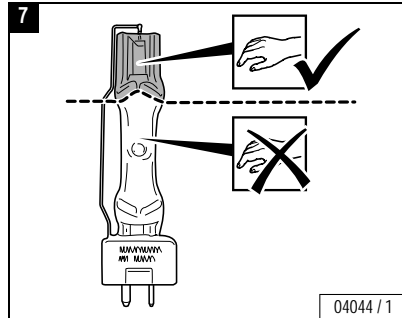
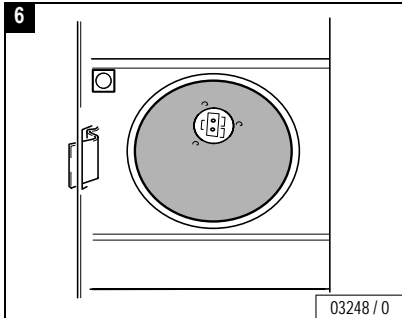


Maintenance

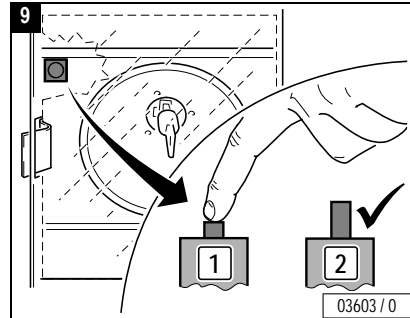


De-energize device!





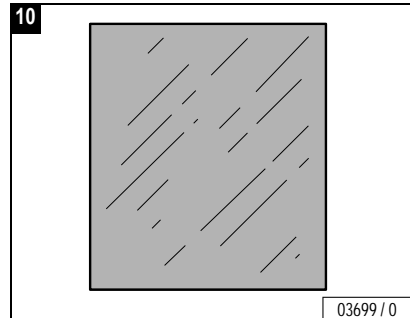
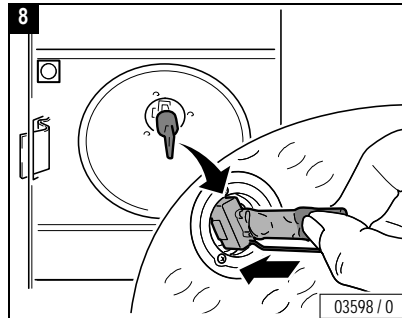
- Check safety switch:



CAUTION!

Do not touch the glass bulbs of the UV high-pressure lamps with your bare fingers! Remove soiling thoroughly.

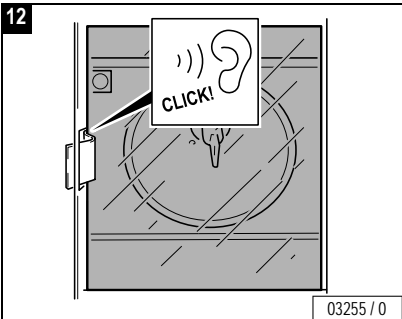
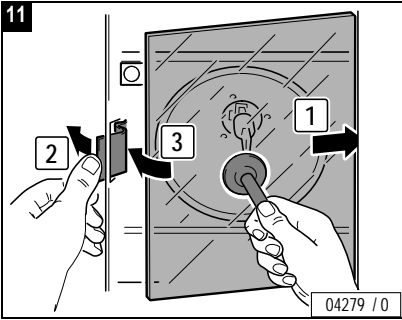
- Only touch new UV high-pressure lamp on the gripping surface - see Figures 7 and 8.



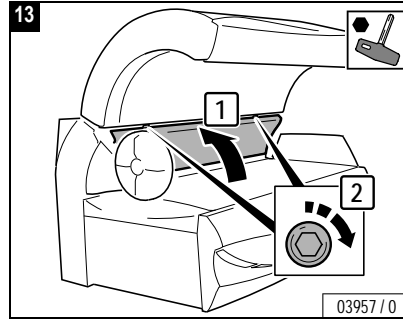
Maintenance 

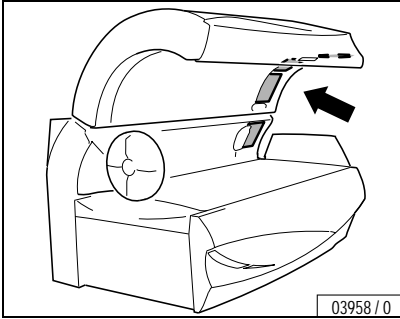
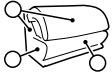


Maintenance

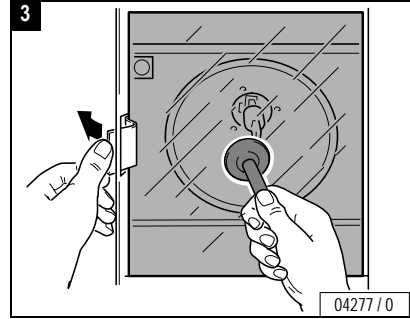
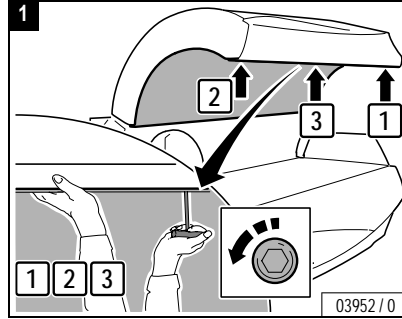


Close:





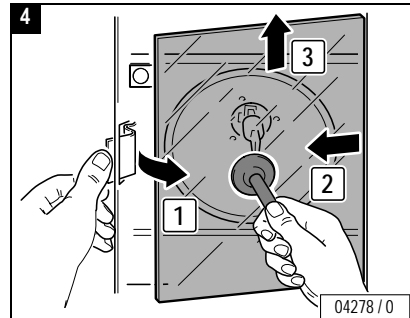
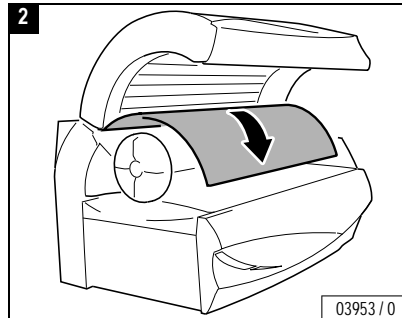
De-energize device!



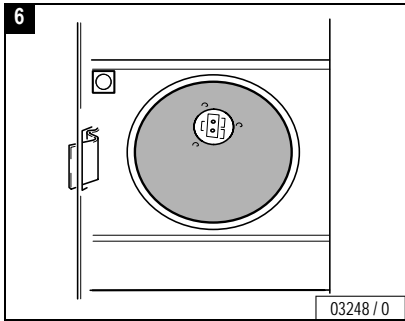
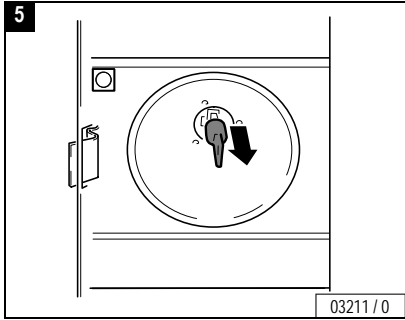
Danger of injury from the canopy panel!

WARNING! The canopy panel is heavy and falls down by itself after unscrewing the 3 screws.

- Support canopy panel.
- Loosen screws in the specified order.

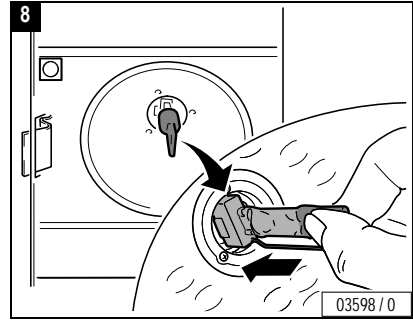
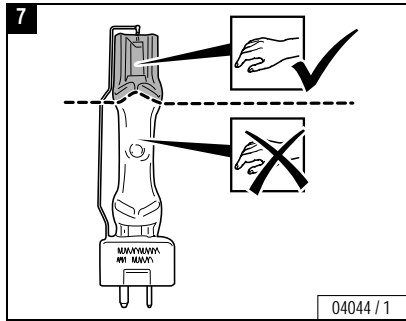


Maintenance

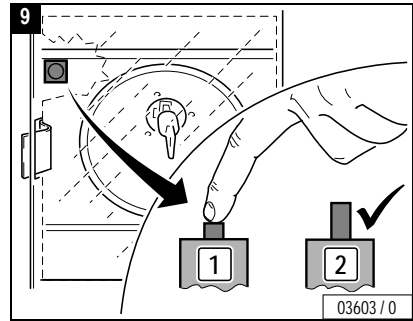


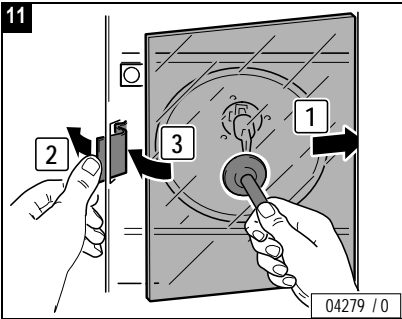
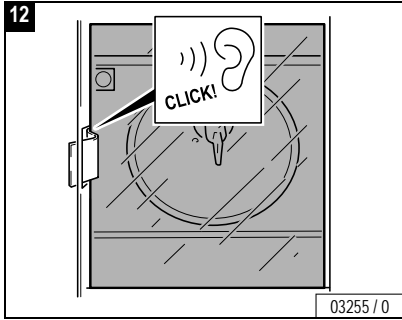
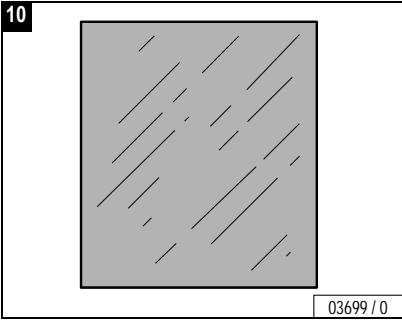
CAUTION!
Do not touch the glass bulbs of the UV high-pressure lamps with your bare fingers! Remove soiling thoroughly.

- Only touch new UV high-pressure lamp on the gripping surface - see Figures 7 and 8.

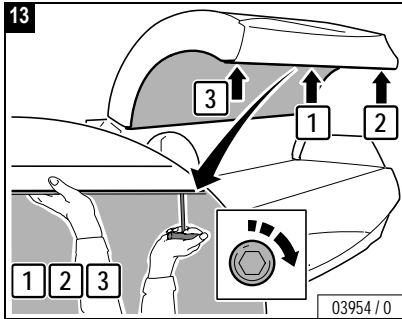


- Check safety switch:



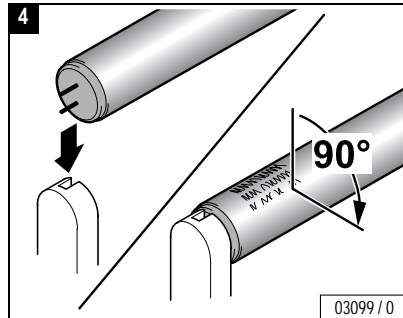
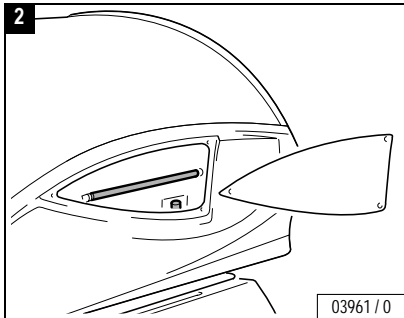
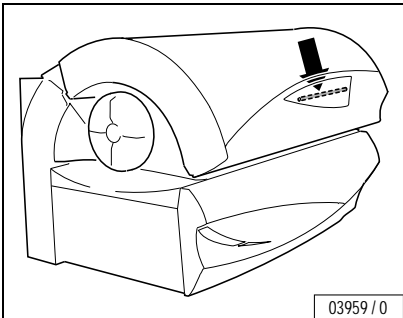
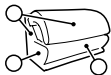


Close:





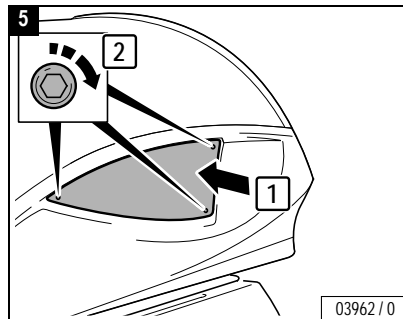
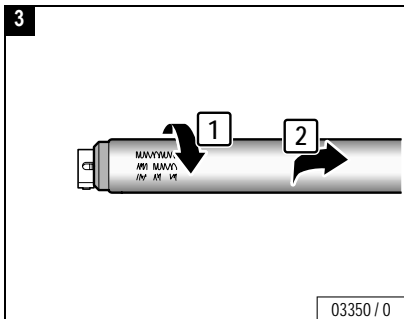
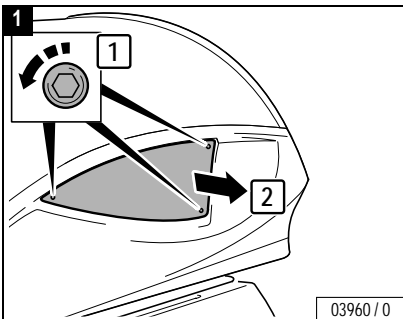
Accent lights, canopy



Maintenance

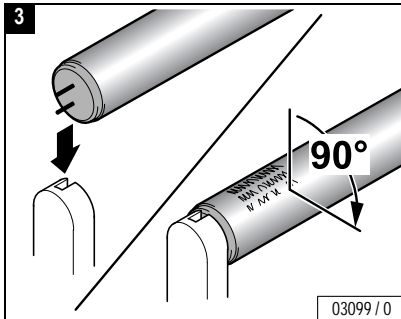
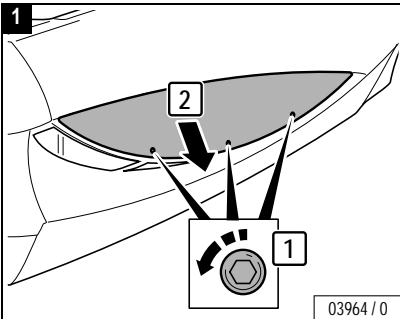
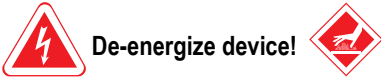
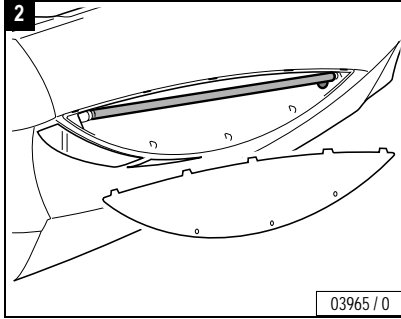
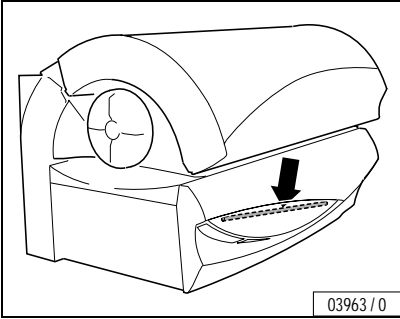
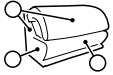



De-energize device!





Accent lights, front panel

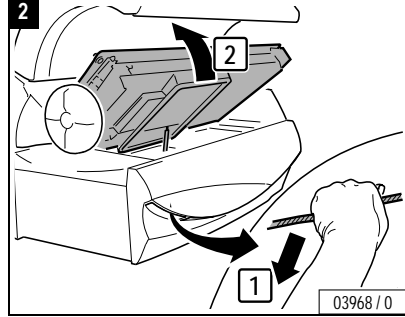
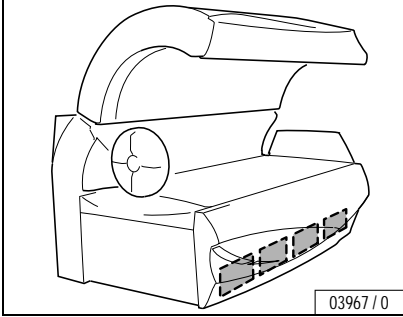
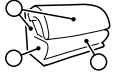


Maintenance 

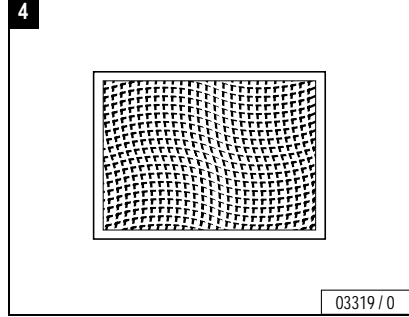




Lower section, filter



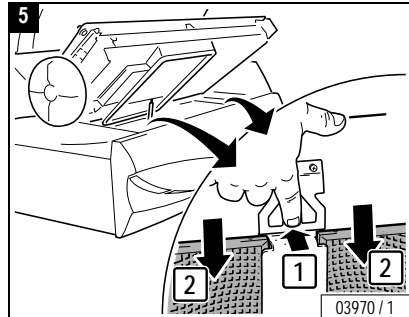
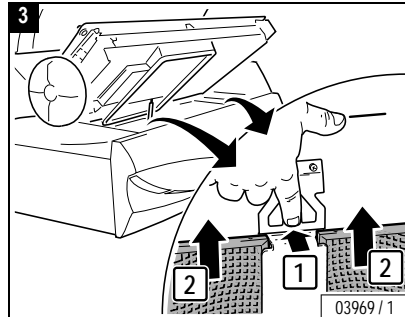
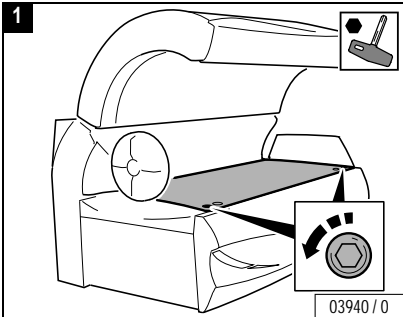
Hand-wipe lightly, dry or with water, or use a vacuum cleaner.



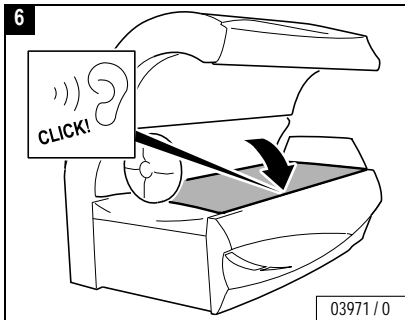
Maintenance



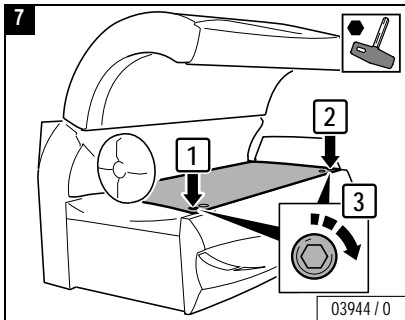
De-energize device!



...



Close:

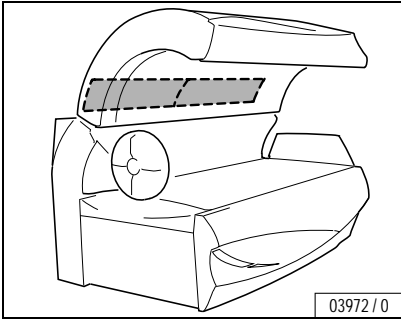
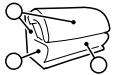


Maintenance 

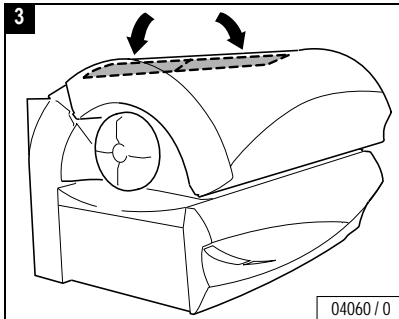
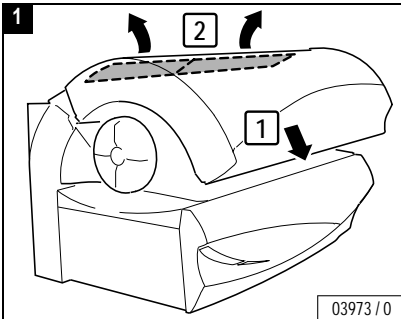
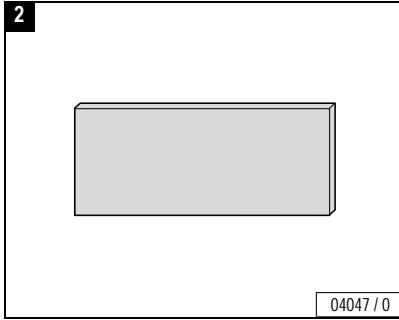




Canopy, filter mats



Rinse with water or replace.

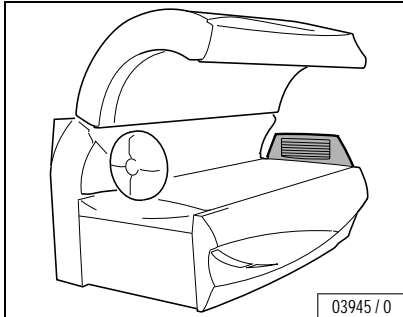
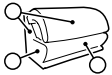


Maintenance

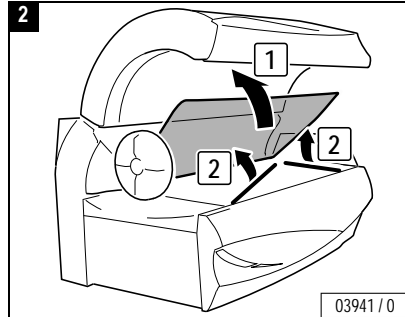




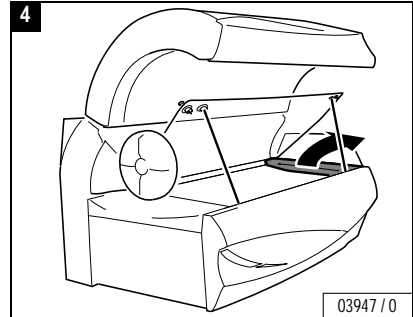
Shoulder tanner, filter mats



03945 / 0



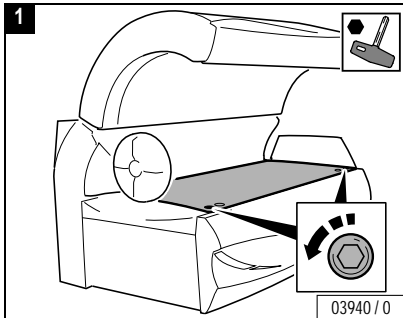
03941 / 0



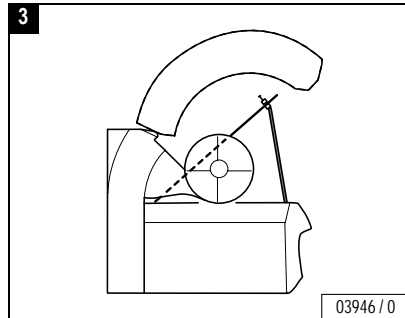
03947 / 0



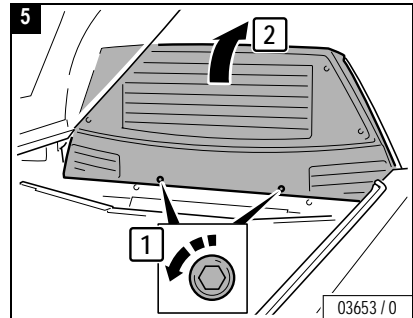
De-energize device!



03940 / 0



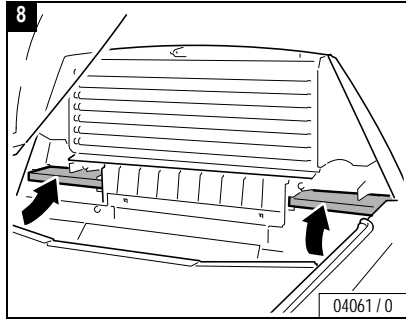
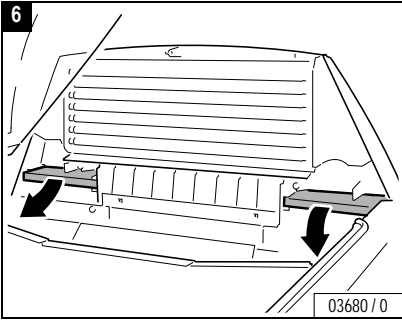
03946 / 0



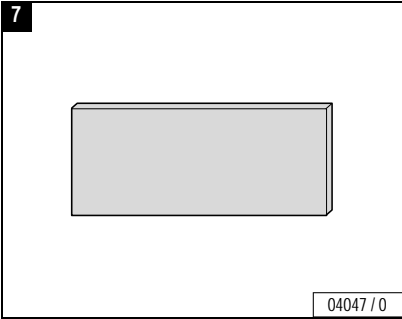
03653 / 0



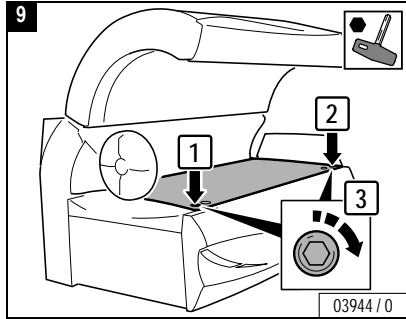
Maintenance



Rinse with water or replace.



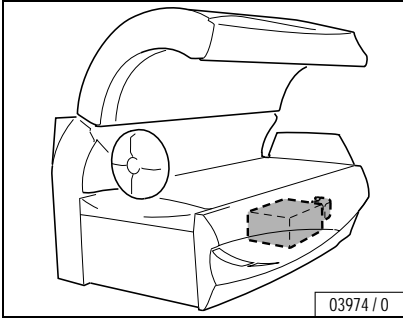
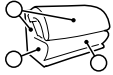
Close:





Air Condition, condensate and filter mats

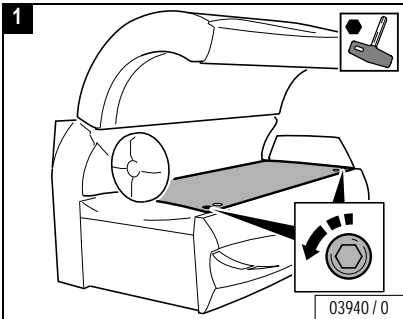
USA



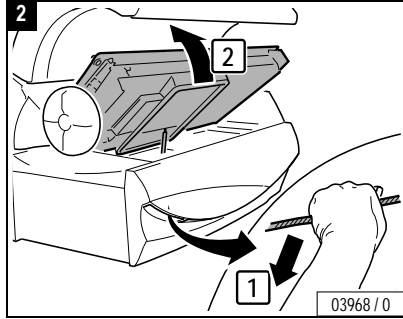
03974 / 0



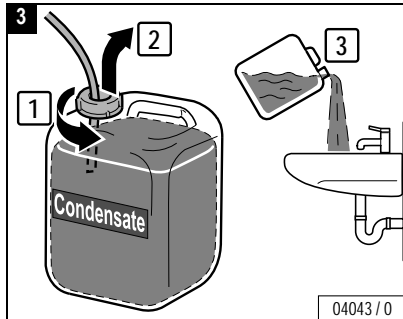
De-energize device!



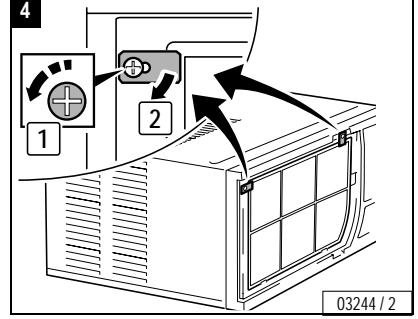
03940 / 0



03968 / 0



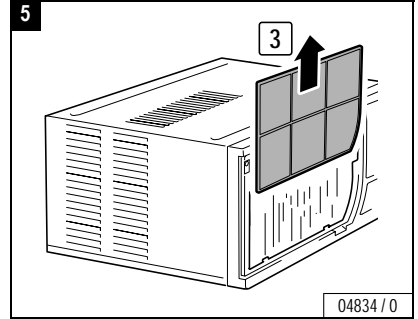
04043 / 0



03244 / 2

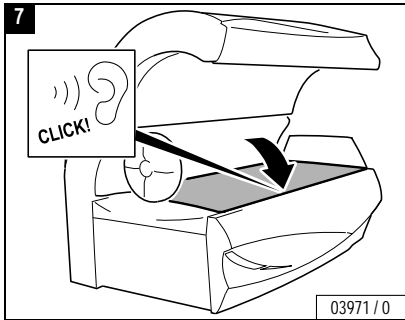
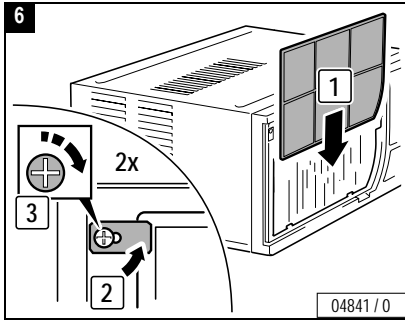


Clean carefully (vacuum or wash) or replace.

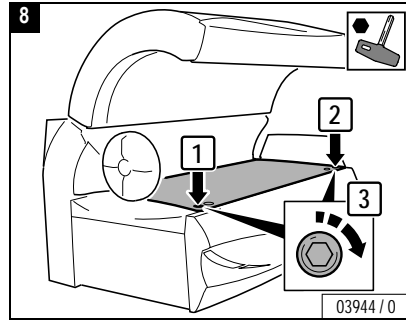


04834 / 0

Maintenance



Close:





Changing presettings with the control panel

The setting mode enables you to call up operating states and make alterations to current settings.

Changing to Presetting mode

- Press the buttons - and + simultaneously for at least five seconds outside a tanning process.
- appears in the display.
- Enter the code (see Page 74).
- Press the START/STOP button four times when you run the Presetting mode for the first time.
- briefly appears in the display, then (Function 1) and the presetting value are displayed alternately (see column "On delivery").
- By pressing the + button you scroll up to the next function (from -01- to -19-).
- By pressing the – button you scroll down to the next function (from -19- to -01-).

Changing presettings

Increase the preset value:

- Press and hold the START/STOP button while simultaneously pressing the + button.

Decrease the preset value:

- Press and hold the START/STOP button while simultaneously pressing the – button.

Reset to the last value set:

- Press the START/STOP button.

Reset to the delivered state:

- See function .



Note:

The sunbed will automatically return to 'idle' mode 30 seconds after the last button was pressed.

The presettings are listed beginning on Page 76.





Defining a code

- Select Function
- Press the START/STOP button for 3 seconds until appears.
- Press the desired buttons consecutively:
- Press the buttons in the same sequence when appears again.
- appears in the display. The set code has been saved.
- Please note the code for Customer Service.

If you know the old code, you can define a new code at any time.

Changing presets with a hand-held unit

Some data can also be displayed and changed with a commercially available hand-held unit (e.g. from Palm). For this purpose you require special software (available in German and English). Please call 1-866-243-9861 for more details.



Caution!

The code for access via the infrared interface is preset in the software of the hand-held unit, and can therefore be used with any unit. Anyone, who downloads the software from the Internet can access the unit data with a hand-held unit. Please note that Customer Service changes the preset access code during initial start-up – see software operating manual. Please note the new code for future use!

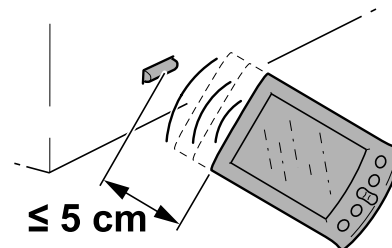
This code is independent of the access code for the presets via the control panel.



Note:

Please read the operating manual for the Soltron software for instructions on how to display or change data with a hand-held unit.

Information on operating the hand-held unit is contained in the manufacturer's documentation.



IR Function

04002 / 0



No.	Description	on delivery	Values from-to
	Total number of operating hours		0 → 9999
	Remaining operating time of UV low-pressure lamps (hours)		500 → 0000
	Remaining operating time of UV high-pressure lamps (hours)		500 → 0
	Remaining operating time of shoulder tanner (hours)		500 → 0
	Remaining operating time of filter mats (hours)		50 → 0
	Air conditioning operating hours		0 → 9999
	Accent lighting operating hours (minutes) When the maximum value is exceeded: Display = continuous operation		1 → 1440
	Fan run-on time (minutes)		3 → 10
	To set the time		1 → 23 01 → 59




No.	Description	on delivery	Values from-to
	To reset the device to ex-works setting (all functions)		
	To set the access authorisation code to enter setting mode (see Page 74)		
	Adjust volume for music output (Sound System)		7 → 63
	Ambient temperature setpoint value (°C)		15 → 30
	Recycle air during fan run-on time (+ = on / - = OFF)		
	Lower temperature limit of air conditioner		15°C → 25°C



Troubleshooting

In the case of a fault, fault codes appear on the display to simplify localizing of the fault cause:

- If a fault occurs, the fault code flashes in the display.
- If several faults occur, the fault messages are displayed alternately.
- The fault remedy is acknowledged by pressing the  button.


If the fault cannot be eliminated, inform Customer Service:



Global Service Division

#1 Walter Kratz Drive

Jonesboro, Arkansas 72401

 (800) 793 6534



Trouble-
shooting



Error	Meaning	Correction
	Full condensation tank (only when using an original condensate container)	Empty condensation container.
	Fault in condensation pump	
	Temperature sensor for heating (air conditioner)	
	Temperature sensor for cooling (air conditioner)	
	Fault in temperature sensor for UV low-pressure lamps	
	Temperature sensor for room	
	Panel switch for shoulder tanner	
	Air-vane switch does not switch on with fan running	
	Air-vane switch does not switch off 1 minute after fan switches off	
	Fault in front face tanner	





Error	Meaning	Correction
	Fault in centre face tanner	
	Fault in face tanner rear	
	Fault in face tanner side section	
	Panel switch on decorative panel on canopy	
	Panel switch of acrylic glass panel on sunbed base/side section	
	Emergency switch-off time exceeded	
	PC bus fault	
	Switching error in series circuit of safety switch	
	Auxiliary controller	
	Heating controller	





Error	Meaning	Correction
	Face tanner controller	
	Speed control 1	
	Speed control 2	
	Audio amplifier	
	Channel selection	
	Real-time clock	
	Parameter memory	
	Incorrect equipment of controller	



Index

A

Accent lights	
Operation	28
Replacing	64
Accent lights front panel, replacing	65
Acrylic glass, cleaning	19
Air condition, Condensate, filter mat	71

B

Bed tolerance in room	38
-----------------------------	----

C

Care	18
Channel, operation	35
Circuit breakers	41
Cleaning	19
Cleaning schedules	42
Code	
Defining a code with hand-held unit	75
Defining a code with operating panel	74
Condensate, air condition	71
Contact	23
D	
De-energizing device	41
Disinfection	19

Disposal of lamps	20
-------------------------	----

E

Environmental protection	20
Equipment	16
Error codes	78

F

Face tanner, operation	29
Fan delay	26
Fault codes	78
Filter mats	

Air condition, cleaning/replacing	71
Canopy, cleaning/replacing	68
Shoulder tanner, cleaning/replacing	69

Filter panels, cleaning	60, 63
Filter, lower section, cleaning	66
Frequency	37
Fusing	37

G

Global Service Division, address	3
Guidelines	16

H

Hand-held unit, changing presettings	75
--	----

I

Intended use	10
Interior lighting	56

L

Lamps, disposal	20
Load, maximum	38

M

Maintenance and care	18
Maintenance schedules	44

O

Operator commitments	10
Order numbers	44, 45, 46
Overview	
Maintenance	42
Operation	24

P

Palm, changing presettings	75
Plastic surfaces	19
Power consumption	37
Powerinput	37
Preparation time	26

Index

Presettings.....	73	U	
Table.....	76	UV high-pressure lamps	
Proper use.....	10	Canopy.....	61
R		Side section.....	58
Relamping instructions, general.....	48	UV lamps, maintenance schedule.....	46
Room temperature, maximum.....	38	UV low-pressure lamps	
S		Canopy.....	54
Settings at start.....	27	lower section.....	49
Shoulder tanner		Shoulder tanner.....	51
Filter mats.....	69	side section.....	53
Lamps.....	51	V	
Operation.....	31	Voltage.....	37
Skin types.....	4	Volume, operation.....	36
Skin, tips for tanning.....	21		
Spare parts.....	18		
Start of tanning session.....	26		
Surround cooling, operation.....	33		
T			
Tanning instructions.....	21		
Technical data.....	37		
Termination of tanning.....	27		
Troubleshooting.....	78		

Soltron – Limited Warranty

Soltron warrants its products to be free from defects in materials and workmanship under intended normal use as described in the unit's Operation and Instruction Manual, for a period of three (3) years from date of sale.

This Limited Warranty applies only to the original purchaser of the equipment through Soltron or its authorized dealer or distributor, and is not transferable.

Soltron obligations under this warranty are limited to repair or replacement of any defective part without charge for that part to the original purchaser, with the following exceptions:

- A. Fluorescent lamps are warranted against defects for a period of thirty (30) days from date of sale.
- B. Only parts obtained through Soltron, its authorized dealers or distributors may be used. Transportation costs for parts shipped to the consumer and the return of defective parts to Soltron are not included.
- C. Labor will be furnished without charge for ninety (90) days from date of purchase only. All labor and related charges must be authorized by Soltron prior to start of repairs, and must coincide with Soltron established rates and time allotment policy.
- D. Acrylic: Refer to Manufacturer's Acrylic Warranty Policy.

It is imperative that the original customer completes and returns the enclosed warranty card within 10 days after purchase to insure valid registration and coverage for potential claims.

If the warranty card is not registered, proof of purchase from Soltron or its authorized dealer or distributor will be required prior to any consideration on warranty claims. This could result in service delays.

This warranty is extended to the individual or legal entity, whose name appears on the warranty registration card filed with Soltron, or whose name appears on the original sale document and may not be transferred to any other individual or legal entity.

This warranty does not apply to any failure of the product, or any parts of the product due to alterations, modifications, misuse, abuse, accident, improper maintenance, improper installation, acts of God or if the serial number on the product has been removed, altered or defaced. Adequate packaging must be used for returned goods to prevent freight damage.

There are no warranties which extend beyond the description on the face hereof. There is no express or implied warranty of fitness or merchantability.

The remedies provided in this limited warranty are the exclusive remedies provided to the purchaser by Soltron and are provided in substitution of all other remedies. Consequential and incidental damages are excluded.

No person, firm or corporation is authorized to obligate Soltron for any liability in connection with the sale or use of these goods.

Warranty

Limited Acrylic Warranty

Soltron warrants its acrylic sheets to be free from defects in material and workmanship, under intended normal use, for a period of one (1) year from date of sale of the tanning bed. Due to the tanning lotions, cosmetics, disinfectant and improper cleaners used on tanning surfaces that cannot be controlled by Soltron, after the first thirty (30) days of warranty period. Acrylic will be subject to a prorated cost to the consumer on breakage.

Soltron obligations do not include transportation charges on replacement acrylic.

Soltron assumes no liability for the cost of removing defective sheets or installing replacement sheets, nor for damage to persons or property.

To make a claim, contact an authorized dealer or distributor of Soltron or Global Service Division with the model number, the serial number, and the date of purchase of the bed in which the acrylic will be used.

There are no warranties which extend beyond the description on the face hereof. There is no express or implied warranty of fitness or merchantability.

The remedies provided in this limited warranty are the exclusive remedies provided to the purchaser by Soltron and are provided in substitution of all other remedies. Consequential and incidental damages are excluded.

Global Service Division

#1 Walter Kratz Drive
Jonesboro, Arkansas 72401

☎ (800) 793 6534

Warranty Claims

Policy & Procedures

1. When to file a Warranty Claim:

In the event that your tanning system is not functioning properly under intended normal use as described in the unit's Operation an Instruction Manual, you may then have established cause to file a Warranty Claim.



NOTE: Both the tanning system and legal registered owner must meet the criteria established under Soltron Limited Warranty as described in this manual before any Warranty Claim will be considered.

2. Where to call to place a Warranty Claim:

Soltron is supported nationwide by an extensive dealer/distributor network through whom the majority of our units are sold. These dealers/distributors are required by contract to stock sufficient parts to meet the various warranty and nonwarranty needs of their customers.

Therefore, in order for you to properly file a Warranty Claim, you must locate the name and phone number of the dealer/distributor through whom you purchased your unit. Normally this information can be easily located either on your paid invoice or other proof of purchase documentation that you received when taking delivery of the unit.

Next, notify the dealer/distributor of the serial number, model number and date unit was purchased. This will initiate the Warranty Claim process.

Upon determination of the problem, your dealer/distributor can then supply you with the part(s) and proper instructions to return your unit to

working order.

Each dealer/distributor has their own internal procedure for handling Warranty Claims and credits.

NOTE: Soltron, the manufacturer, does not involve itself in the direct handling of a Warranty Claim except where mitigating circumstances apply and where required by law.

Parts Warranty Claim/Credit Review

1. Customer calls Soltron and notifies the Service Department of problem
2. Soltron Service Department determines course of action.
3. Soltron ships part and R.A.I. to customer freight collect and bills customer on net30 basis for part only.
4. Customer, within 15 days of receiving new part, returns defective part to Soltron along with R.A.I.
5. Upon receipt of defective part and R.A.I., Soltron issues customer a credit invoice which offsets original bill. Customer's account is returned to zero balance concerning this claim.



NOTE: If part returned to Soltron proves to be operational and not defective, or if product code numbers on part do not correspond with individual unit date on file with Soltron, then a 30% restocking fee will be charged in addition to the retail purchase price of part.

Warranty

Acknowledgment of the Agreement is not required for acceptance of the foregoing stipulations.

Labor Warranty Claim/Credit Procedures

Soltron furnishes labor without charge for a period of 90 days from date of purchase. All labor and related charges must be authorized by Soltron prior to start or repairs, and must coincide with Soltron established rates and time allotment policy.

Please contact our Service Department for authorization and billing procedures.

Limited Lifetime Warranty

Soltron warrants specific individual components of the Competition Tanning Systems against defects in materials and workmanship for the life of the product. Coverage is limited to units purchased after November 1, 1994.

This warranty is restricted by the following components only:

- Steel Back Panels
- Structural Steel Frame Components
- Exterior Steel Body



NOTE: Components are warranted on an individual basis and not as they may effect the complete product.

Warranty coverage does not include cosmetic abnormalities such as scratches, nicks, dents, oxidation of paint or other cosmetic changes that

do not interfere with the designed function of the unit.

This warranty does not include failure of the product due to alteration, modifications, misuse, abuse, improper maintenance, improper installation or repair.

This warranty is not transferable and is only applicable to the original purchaser named on a completed and registered warranty record at Soltron headquarters.

Soltron obligations do not include transportation charged on the shipping of new components to the customer or on the return of defective components of the manufacturer. All freight charges must be paid by the customer.

There are no warranties which extend beyond the description on the face hereof. There is no express or implied warranty of fitness or merchantability.

The remedies provided in this limited warranty are the exclusive remedies provided to the purchaser by Soltron and are provided in substitution of all other remedies. Consequential and incidental damages are excluded.



Notice: Any misuse, abuse, modification, alteration, improper maintenance, improper installation, etc. of this product or its intended use will subject said party to direct responsibility and liabilities for any and all consequences resulting from such action. Furthermore, such actions will void all warranties and may relieve Soltron of any liabilities relating to said product.

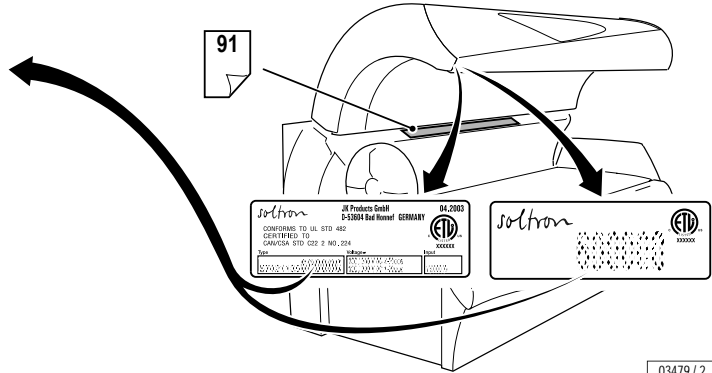
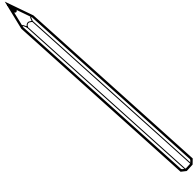


Warranty

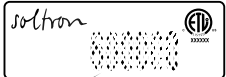
Lifetime Warranty

Identifiez votre solarium

Veillez noter le numéro de série de votre solarium lorsque vous contactez le service après-vente.



soltron All Products GmbH 04-2009
CONFORME TO UL STD 482
CERTIFIED TO
CAN/CSA STD C22.2 NO. 254
Date: 01/19/10 10:25:08
02292243 2009/01/19/10 10:25:08



03479 / 2

Global Service Division
#1 Walter Kratz Drive
Jonesboro, Arkansas 72401



☎ 1-800-445-0624
📠 1-870-935-9046

e-mail: support@jkamerica.com

Types de peau

Types de peau

Pour le plan d'exposition recommandé (cf. page 91).

Type de peau I:

Type de personne qui est toujours sujet aux brûlures et ne bronze pas. Il est conseillé aux personnes à peau claire qui bronzing jamais de ne pas utiliser cet appareil.

Type de peau II:

C'est le type de personne facilement et fortement sujet aux brûlures, qui bronze de façon minimale ou légère et qui pèle.

Type de peau III:

Souvent désigné par teint « moyen », brûlures modérées et bronzage moyen.

Type de peau IV:

Brûlures minimales, bronzage aisé et au-dessus de la moyenne à chaque exposition.

Type de peau V:

Ce genre de personne n'est sujet que rarement à des brûlures, bronzing aisément et en profondeur.

Temps de bronzage XL-70 Turbo Plus, VHP 12 160W

Type de peau	Tableau des expositions recommandées				
	1 ^{ère} semaine 1 ^{ère} - 3 ^{ème} exposition	2 ^{ème} semaine 4 ^{ème} - 6 ^{ème} exposition	3 ^{ème} semaine 7 ^{ème} - 10 ^{ème} exposition	4 ^{ème} semaine 11 ^{ème} - 15 ^{ème} exposition	Séances hebdomadaires par la suite
II - sensible	2 min.	5 min.	8 min.	10 min.	12 min.
III - moyenne	2 min.	5 min.	8 min.	10 min.	12 min.
IV - brune	2 min.	7 min.	10 min.	12 min.	12 min.
V - brun foncé	2 min.	7 min.	10 min.	12 min.	12 min.

DANGER DE RADIATION AUX RAYONS ULTRAVIOLETS
 Suivre les instructions suivantes: Eviter la surexposition comme au soleil. La surexposition peut provoquer des lésions aux yeux comme à la peau ainsi que des réactions allergiques. Une surexposition peut avoir pour effet un vieillissement prématuré de la peau de source cancérigène.
Le temps d'exposition maximum est de 12 minutes.

<p>Portez des lunettes protectrices! Ne pas le faire peut provoquer des brûlures sévères et occasionner des lésions (irréversibles) aux yeux. Certains médicaments ou produits cosmétiques peuvent également augmenter votre sensibilité aux rayons ultraviolets. Si vous prenez des médicaments ou si vous pensez être particulièrement sensible à une exposition au soleil, veuillez consulter un médecin avant toute exposition aux rayons ultraviolets. Notez scrupuleusement l'origine de vos problèmes de peau si vous êtes spécialement sensible aux rayons du soleil. Si vous ne bronzes pas au soleil, vous ne bronzerez probablement pas avec cet appareil!</p>	<p>Cette unité utilise des lampes UVA. Remplacez les uniquement avec des Soltron VHP 12 premium 160W turbo power, Soltron VHP 25W power (bronzage des épaules et du cou) et JK Ergoline 500 SE C11292 (haute pression) ou autres lampes reconnues équivalentes. Pour obtenir la distance minimum recommandée d'exposition de 13mm mesurée à l'aide d'une règle usuelle, allongez-vous sur la banquette acrylique et rabattez le couvercle. Le couvercle s'arrêtera à la distance correcte de la surface de la banquette acrylique. Attention: l'utilisation de toute autre position peut provoquer une surexposition.</p>
---	--

<p>Le bronzage peut débuter sur une base d'expositions régulières. L'apparition du bronzage se fait remarquer normalement après quelques expositions et au maximum 4 semaines suivant l'exposition selon le tableau ci-dessus pour chaque type de peau. Afin de procurer et conserver un bronzage minimum, deux séances de 12 minutes au maximum par semaine sont recommandées à partir de la cinquième semaine.</p>	<p>Utiliser des Lunettes protectrices (Type no Schmeiler 2235 Rouge ou équivalentes), lorsque l'équipement est en fonctionnement. Lire attentivement et suivre les instructions du petit manuel avant d'utiliser le produit. Afin d'éviter une décharge électrique lors du service de maintenance, veillez à déconnecter l'appareil du courant électrique.</p> <p style="text-align: right;">834620</p>
--	---



Note :
 Description des types de peau, voir page 90.

05493 / 0

« En termes de performances standard, ce produit est conforme aux exigences applicables aux appareils équipés de lampes à rayons ultraviolets selon la norme CFR21 Part 1040. »

Avant-propos

Cher client,

L'appareil Soltron que vous avez acheté est un système de commande à ordinateur performant et intégrant les dernières avancées de la technologie. La fabrication de votre appareil a fait l'objet d'un soin et d'une précision extrêmes. Il a été soumis à un contrôle qualité rigoureux et à de nombreux tests de sécurité afin d'en garantir le fonctionnement sûr et sans problèmes. Vous restez néanmoins un acteur important pour garantir la longévité de votre appareil. Si vous suivez les conseils et les informations spécifiés dans les instructions d'installation, votre appareil vous apportera entière satisfaction.

Nous sommes toujours à votre disposition si vous avez des questions.¹⁾

Avec nos meilleures salutations

Soltron Inc.

- Lisez et observez les informations contenues dans ce manuel d'instructions. Elles vous permettent d'éviter les accidents et d'avoir un appareil en parfait état de fonctionnement.
- Tenez toujours également compte des réglementations et prescriptions légales générales ou autres, ainsi que les directives de protection de l'environnement.



Note :

Les illustrations et les informations fournies dans le présent mode d'emploi le sont sous réserve de modifications techniques.

Toute reproduction ou duplication, partielle ou complète, de ce manuel n'est autorisée qu'après autorisation écrite préalable et avec référence à la source.

1) ☎ 1-800-643-0086

Table de matières

Types de peau	90
Temps de bronzage	91
Consignes de sécurité et informations importantes.	95
Notes relatives à la sécurité	95
Utilisation conforme	96
Obligations de l'exploitant	96
Instructions relatives à un risque d'incendie, de choc électrique ou de blessures corporelles	97
Instructions relatives à un risque de dommage matériel	99
Signification des symboles	100
Directives	102
Exportation	102
Équipement	102
Accessoires	103
Information sur le produit	103
Maintenance et entretien	104
Nettoyage	105
Information relative à la protection de l'environnement	106
Notice générale pour le bronzage	107

Service	109
Tableau de service	Page dépliant 110
Accessoires	111
Séance de bronzage	112
Fin de la séance de bronzage	113
Réglages pendant le démarrage	113
Durée de fonctionnement des lampes décoratives	114
Fonction IR	114
Réglage des bronzers faciaux	115
Allumage et extinction du bronzeur pour épaules	117
Réglage du système air conditionné ¹⁾	118
Réglage de la ventilation corporelle	119
Réglage de la ventilation faciale	120
Sélection des chaînes musicales	121
Réglage du volume	122
Caractéristiques techniques	123

1) option

Table de matières

Maintenance	127	Nettoyage/remplacement des nattes filtrantes dans la partie supérieure	154
Couper la tension sur l'appareil et verrouiller contre la remise en marche	127	Nettoyage/remplacement des nattes filtrantes dans le bronzeur pour épaules	155
Maintenance, vue d'ensemble	Page dépliant 128	Air conditionné : nettoyage/remplacement de natte filtrante, vidage du réservoir à condensat	157
Intervalles de maintenance, lampes installées et numéros d'ordre ..	130	Réglages préliminaires	159
Instructions relatives au remplacement des lampes / maintenance ..	134	Réglages préliminaires via le tableau de commande	159
Nettoyage/remplacement des lampes UV basse pression dans la partie inférieure du solarium	135	Réglages préliminaires à l'aide d'un ordinateur de poche	161
Nettoyage/remplacement des lampes UV basse pression dans le bronzeur pour épaules	137	Dépannage	164
Nettoyage/remplacement des lampes UV basse pression dans la partie latérale	139	Index alphabétique	168
Nettoyage/remplacement des lampes UV basse pression dans la partie supérieure	140	Garantie limitée Soltron	170
Nettoyage/remplacement de l'éclairage intérieur	142	Service avec minuterie	voir manuel séparé
Nettoyage/remplacement des lampes UV haute pression/panneaux filtrants dans la partie latérale	144		
Nettoyage/remplacement des lampes UV haute pression/panneaux filtrants dans la partie supérieure	147		
Nettoyage/remplacement des lampes décoratives dans la partie supérieure	150		
Nettoyage/remplacement des lampes décoratives dans le panneau frontal	151		
Nettoyage des filtres dans la partie inférieure du solarium	152		

Consignes de sécurité et informations importantes

Notes relatives à la sécurité

Description des panneaux d'avertissement

Notes relatives aux dangers, blessures corporelles :



DANGER !

Type et source de danger, par ex. « DANGER – haute tension ! »

Description des conséquences, par ex. « Danger de mort ou de blessures des suites d'un choc électrique ! »

Contre-mesures :

- Débranchez l'appareil de l'alimentation secteur avant l'ouverture.
- N'intervenez pas à l'intérieur et ne changez pas de lampes quand l'appareil est sous tension..

Notes d'avertissement, blessures corporelles :



AVERT. !

Type et source de danger, par ex. « Avertissement – surface chaude ! »

Description des conséquences, par ex. « Risque de brûlures aux mains (peau, visage) ! »

Contre-mesures :

- Ne touchez pas aux lampes et aux surfaces avoisinantes.
- Attendez que les lampes et les surfaces soient refroidies

Notes de prudence, dommages matériels :



ATTENTION !

Le mot « ATTENTION » sur cette étiquette indique un danger potentiel pour les équipements, le matériel et l'environnement.

Information importante :



Note :

Ce symbole ne concerne pas les notes relatives à la sécurité ; il ne fournit que des informations pour mieux comprendre les processus.

Veillez lire et observer ...

Utilisation conforme

Le solarium est conçu exclusivement pour le bronzage cosmétique du corps humain.

- Cet appareil est exclusivement destiné à un usage professionnel.
- Cet appareil est utilisé pour le bronzage d'une personne adulte à la fois.
- L'utilisateur porte des lunettes de protection des yeux neutralisant les rayons UV pendant le bronzage.

Toute utilisation autre est considérée comme non conforme. Le constructeur décline toute responsabilité pour les dommages ou blessures susceptibles d'en résulter. L'utilisateur est seul responsable.

Par utilisation conforme, on entend également le respect des remarques, conditions d'utilisation, d'entretien et des prescriptions du constructeur. Le service, l'entretien et la remise en état de l'appareil sont réservés aux personnes familiarisées avec ces tâches et instruites des risques éventuels.

Obligations de l'exploitant

- En tant qu'exploitant, vous êtes tenu d'informer les utilisateurs sur les risques éventuels pendant le bronzage.
- Toutes les indications relatives aux dangers et à la sécurité sur l'appareil doivent être observées. Ne pas les enlever !
- Aucun équipement de sécurité (par ex. interrupteur de panneau) ne doit être enlevé ou désactivé pour ne pas nuire à un fonctionnement sûr de l'appareil !
- L'appareil ne doit être utilisé que lorsqu'il est en parfait état de fonctionnement !
- L'exploitant est tenu de s'assurer que l'équipement est utilisé correctement.

Instructions relatives a un risque d'incendie, de choc électrique ou de blessures corporelles



DANGER !

DANGER – haute tension !

Danger de mort ou de blessures des suites d'un choc électrique !

Le montage et les branchements électriques doivent être effectués de façon conforme aux réglementations nationales et locales.

- Le montage, l'installation, la mise à niveau et la réparation de l'appareil doivent être exclusivement réservés à un personnel formé et instruit en conséquence.



AVERT. !

Avertissement – rayons ultraviolets !

Un bronzage sans protection peut entraîner des blessures et des dommages des yeux.

L'œil non protégé peut subir une inflammation en surface avec, dans certains cas, un endommagement de la rétine des suites d'un rayonnement excessif. Des cataractes peuvent se former après une exposition fréquente aux rayons.

- Informez les utilisateurs pour les prévenir de fermer les yeux et d'utiliser les lunettes de protection fournies contre les UV (n° de commande 84592¹⁾).



AVERT. !

Avertissement – rayons ultraviolets ! Veuillez suivre les instructions suivantes !

Sans dispositif de protection des yeux, ce produit peut causer des brûlures ou lésions oculaires graves. En cas de problème arrêter l'utilisation et consulter un médecin.

- Les appareils UV ne doivent pas être utilisés sans avis médical en cas d'apparition de symptômes inattendus, tels que des démangeaisons, dans les 48 heures suivant la première exposition.
- Comme avec les rayons solaires naturels, une exposition trop longue peut causer coup de soleil ou brûlure.
- Une exposition répétée peut causer un vieillissement prématuré de la peau ou un cancer de la peau.
- L'utilisation de certains médicaments ou produits appliqués sur la peau peut accroître la sensibilité aux ultraviolets.
- Les personnes ne bronzant pas au soleil ne le feront probablement pas sur cet appareil. Les sujets à la peau très sensible (type de peau I) ne doivent pas utiliser l'appareil car aucun bronzage n'est possible sans coup de soleil avec ce type de peau.
- Toute personne ayant des problèmes de peau doit consulter un médecin avant toute utilisation.
- Éviter toutes surexposition.
- Il est conseillé aux personnes âgées de ne pas utiliser cet appareil.

1) *Global Service Division* – voir à page 89.

Veillez lire et observer ...



AVERT. !

Avertissement – rayons ultraviolets !

Danger de conséquences à long terme.

- Les nourrissons et les petits enfants jusqu'à 7 ans ne doivent pas utiliser cet appareil.
- Ce qui suit concerne les mineurs de moins de 18 ans : n'utilisez les solariums qu'avec l'autorisation d'un parent ou d'un tuteur, ou après avoir consulté un médecin.
- Bien qu'il n'existe pas de symptôme clinique immédiat des suites de l'exposition aux UVA et de ses effets sur les femmes enceintes, il est fortement recommandé de déconseiller l'utilisation du solarium à ces femmes.



AVERT. !

Avertissement : Risque d'infection !

Les infections peuvent se propager par contact de la peau.

Tous les articles et équipements avec lesquels l'utilisateur peut entrer en contact pendant la séance de solarium doivent être désinfectés au terme de chaque séance de solarium :

- Lunettes de protection
- Repose-tête
- Partie inférieure du solarium en matériau acrylique
- Panneau de manipulation et de commande



Note :

Les personnes utilisant le solarium pourront noter occasionnellement de légères rougeurs de la peau – normalement par petites taches – après la deuxième ou la troisième séance. Ces rougeurs s'accompagnent fréquemment de démangeaisons. Ceci ne peut être rien d'autre qu'une inflammation due à la chaleur dégagée par les lampes dans l'appareil. Elle est en règle générale très limitée et causée par le contact constant de la peau et de la surface acrylique. Elle disparaît normalement au bout d'environ 24 heures et ne réapparaît pas. Cette éruption peut être réduite ou empêchée par l'application d'une lotion hydratante sur la zone affectée une fois la séance de bronzage terminée.

- Suivre les instructions.
- L'intervalle entre deux séances de bronzage doit être d'au moins 24 heures !
- L'augmentation du bronzage requiert également une augmentation du temps d'exposition (= durée de radiation) ou une nouvelle intensification n'est plus possible une fois un certain degré de bronzage atteint. Toutefois la durée d'exposition au rayonnement ne doit pas être prolongée sans considération à l'intérieur des limites de rayonnement tolérable. En conséquence, les sujets ne peuvent parvenir qu'à un certain degré de bronzage en fonction de leur type de peau, sans risque pour leur santé.



- Informer les utilisateurs sur le bronzage correct – cf. page 107.

Instructions relatives à un risque de dommage matériel



ATTENTION : danger de surchauffage !

Danger de surchauffage par obstruction de la sortie d'air.

- Ne modifiez, bouchez ou bloquez pas l'entrée et la sortie d'air vers l'appareil et ne procédez à aucune transformation non autorisée de l'appareil. Le constructeur décline toute responsabilité pour les dommages ou les blessures susceptibles d'en résulter.
- L'appareil ne doit pas être installé ni exploité sur la palette de transport ! Risque de surchauffe due à la perturbation de la diffusion d'air.

Veillez lire et observer ...

Signification des symboles

Symboles généraux



Informez le service après-vente



Clé Soltron



Ne pas toucher, surface chaude !



Ventouse



Lampe(s) basse pression



Lampe(s) UV basse pression



Starter pour lampe(s) UV basse pression



Lampe(s) UV haute pression



Panneaux filtrants



Produits de nettoyage et de désinfection



Numéro de pièce/article (pour commandes)

Service



01.13

Affichage de la durée de bronzage



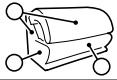






42.59











Affichage du temps de poursuite (poursuite du ventilateur)

E040

Affichage de défaut (exemple)

Veillez lire et observer ...

	Affichage de chaîne musicale 1 (canal 1) Réglage d'usine : 1 canal Le SAV peut régler jusqu'à 7 canaux
	Affichage au réglage du volume
	Description
	Eclairage décoratif
	Appuyer sur le bouton
 p.ex. 2s	Appuyer sur le bouton pendant 2 secondes
	Durée : 3 minutes
	Haut-parleur
	Raccordement d'écouteur

Caractéristiques techniques	
Maintenance	
	Attention, interrupteur de sécurité !
	Dévisser/desserrer vis
	Visser/serrer vis
	Nettoyage
	Remplacement
 	Nettoyer ou remplacer selon l'encrassement
	Vidage

Signification des symboles

Veillez lire et observer ...

Contrôle visuel



Air conditionné



Filtre



Poursuite des travaux à la page suivante



Fin de l'étape de travail

Directives

Cet appareil a été construit conformément à la norme UL STD 482, et est certifié CAN/CSA STD C22.2 2 No. 224.

Exportation

Nous souhaitons attirer l'attention sur le fait que ces appareils sont prévus exclusivement pour être utilisés aux USA et au Canada et qu'ils ne peuvent être exportés et utilisés dans aucun autre pays ! Le constructeur décline toute responsabilité en cas de non-observation de ces prescriptions ! Nous insistons explicitement sur le fait sur les risques élevés concernant la responsabilité de l'exportateur et/ou de l'exploitant en cas de non-observation de cette indication.

Équipement

L'équipement des appareils différent selon le modèle.

Dans ce mode d'emploi tous les composants/fonctions standard et en option et devant être observés pendant la maintenance sont pris en compte.

Le panneau de commande est également concerné par ces différents équipements. Seuls les boutons pouvant être actionnés sont visibles, c'est-à-dire que la fonction correspondante doit faire partie de l'équipement de l'appareil.

Accessoires

Certaines pièces accessoires sont prises en compte dans le plan de maintenance débutant à la page 129, mais cela ne signifie pas nécessairement que votre appareil comporte cet équipement (par ex. air conditionné).

Une vue d'ensemble des accessoires possibles est fournie dans la documentation de vente.

Information sur le produit

Panneaux en verre acrylique

Les panneaux en verre acrylique des solariums sont fabriqués dans un matériau spécialement développé pour cette application. Les acryliques utilisés se caractérisent par une perméabilité et une résistance aux UV particulièrement élevées, ainsi que par un entretien aisé ; la surface hygiénique est agréable à la peau.

Les panneaux en verre acrylique sont formés pour l'appareil respectif au cours d'un processus de protection technique sophistiqué. En dépit du savoir-faire de pointe en production, la présence de taches mineures, de bulles d'air ou de stries dans les panneaux acryliques est inévitable. De fines fissures peuvent en outre apparaître en service à la surface de la banquette.

Ces phénomènes dépendent du matériau et sont inévitables lors du traitement, mais ils restent sans effet significatif sur la valeur d'utilisation et ne peuvent pas conséquemment pas être considérés comme des défauts.



ATTENTION !

Les produits cosmétiques ou crèmes solaires doivent être enlevés avant la séance de bronzage car ils peuvent entraîner à long terme des endommagements (p. ex. fissures de surface).

Veillez lire et observer ...

Maintenance et entretien



DANGER !

Danger extrême ! Haute tension !

Pendant les travaux de maintenance, risque de contact avec les pièces sous tension et de choc électrique mortel.

- Débranchez l'appareil de l'alimentation secteur avant de l'ouvrir – cf. également Page 127.
- N'intervenez pas au-delà des recouvrements et n'ouvrez pas l'appareil quand il est sous tension.
- Les dispositifs de sécurité qui ont été déposés doivent être remontés après les travaux.

La maintenance et l'entretien jouent un rôle capital pour décider si l'appareil répond aux attentes de manière satisfaisante. Il est donc essentiel de respecter les intervalles de maintenance prévus et d'effectuer avec soin les travaux d'entretien et de maintenance – cf. page 128.

Le nombre d'heures de service actuel des pièces requérant une maintenance peut être affiché en mode de réglage préliminaire – cf. page 159 ff.



ATTENTION !

Employez uniquement des pièces détachées originales de même type ou compatibles ! L'emploi d'autres pièces annule la conformité ! Le constructeur décline toute responsabilité en cas de dommages résultant, preuves à l'appui, de l'utilisation de pièces détachées non originales.

Nettoyage

Surfaces en verre acrylique



ATTENTION !

Ne frottez pas les surfaces avec un chiffon sec – risque de rayures !

Pour un nettoyage rapide et hygiénique des surfaces en verre acrylique, utilisez exclusivement le produit de nettoyage et de désinfection rapide spécialement mis au point Antifect®.

N'utilisez pas non plus d'autres produits de nettoyage non appropriés, en particulier des désinfectants concentrés ou des solvants (par ex. Lysoform, alcool éthylique ou autres liquides contenant de l'alcool) pour le nettoyage.

En cas de non-observation, les droits à la garantie ne sont plus reconnus.

Surfaces en plastique

Pour le nettoyage des autres surfaces en plastique, il est préconisé d'utiliser de l'eau tiède et une peau de chamois. N'utilisez jamais de détergents agressifs contenant de l'alcool ou des huiles essentielles. Ceci peut entraîner à long terme des dommages non couverts par la garantie.

Pendant le nettoyage, une légère décoloration de la peau de chamois due aux joints de caoutchouc doit être attendue pour des raisons relatives à la production.



Note :

Évitez l'endommagement des surfaces en verre acrylique et en plastique. Retirez bagues, montres, bracelets, etc., avant de procéder aux travaux de nettoyage.



02756 / 0

Veillez lire et observer ...

Information relative à la protection de l'environnement

Déclaration relative à l'environnement – Le groupe d'entreprises JK

Le groupe d'entreprises JK se soumet aux règles strictes de la Directive CEE 761/2001 et de la norme ISO 14001 et fait l'objet de contrôles réguliers par des auditeurs professionnels portant sur la sécurité environnementale.

Réglementations relatives à l'environnement – évacuation des lampes

Les lampes UV basse et haute pression usagées contiennent un agent fluorescent et d'autres déchets contenant du mercure.

Selon les lois nationales sur l'évacuation des déchets et conformément aux règlements municipaux sur les déchets, les lampes UV doivent être mises au rebut correctement, preuves à l'appui.

Votre agence environnement locale est là pour vous assister en ce qui concerne la gestion des déchets de lampes UV.

Emballage

L'emballage est constitué de matériaux entièrement recyclables. Les emballages qui ne sont plus utilisés peuvent être retournés au groupe d'entreprises JK. Pour de plus amples informations, n'hésitez pas à contacter le service de vente ou le revendeur.

Élimination de matériaux recyclables

L'appareil a été conçu à partir de matériaux recyclables. La mise à la ferraille ultérieure doit être réalisée conformément à la réglementation appliquée. Pour en savoir plus sur la composition ou les risques liés aux matériaux utilisés, adressez-vous au Soltron.

Veillez lire et observer ...

Notice générale pour le bronzage

Quels peuvent être les utilisateurs ?

Toute personne qui peut bronzer à la lumière naturelle du soleil. Les personnes à peau sensible peuvent même bronzer plus en douceur et sans soucis, étant donné que les solariums permettent un dosage exact des rayons.

Certains médicaments – en particulier ceux produisant une photosensibilité – peuvent provoquer, chez les personnes les utilisant, des effets contraires ; ces personnes doivent éviter de s'exposer à des sources UV de toutes natures. Les médecins aviseront les personnes prenant ces médicaments de leurs effets contraires.

La rapidité et l'intensité du bronzage dépendent du type de peau et de la concentration de mélanine individuelle dans la peau. Il n'y a pas deux teintes de peau identiques. Le bronzage d'une personne peut varier d'une personne à l'autre, au même titre que la durée du traitement.

Qu'est-ce que la mélanine ?

La pigmentation brunâtre produite par certaines cellules de la couche inférieure de notre peau détermine le bronzage individuel. Quand la peau est exposée à la lumière ultraviolette, la mélanine est activée et se combine à des cellules de protéine qui se déplacent vers la surface de la peau, produisant le bronzage. La quantité de mélanine dans la peau détermine la rapidité et l'intensité du bronzage. Plus la peau produit de mélanine, plus le bronzage sera rapide et intensif, suivant la durée d'exposition.



Note :

Le bronzage réalisé par l'appareil est un bronzage « cosmétique » profond et durable. Toutefois et indépendamment de l'intensité de bronzage à laquelle une personne peut être soumise avec cet appareil, il ne fournit pas de protection adéquate contre la surexposition aux rayons du soleil ou aux systèmes de bronzage UVB.

Quelles durées de bronzage sont-elles recommandées ?

Bien qu'il n'y ait aucune raison de se soucier des coups de soleil avec la méthode de bronzage aux UV, certaines indications de base doivent être fournies selon la sensibilité de la peau des différentes personnes.



DANGER!

Risques de blessures et de maladies de la peau !

Bien que les rayons UVA soient relativement inoffensifs comparativement aux rayons naturels du soleil, des durées de bronzage excessives peuvent entraîner des rougeurs et des brûlures de la peau.

- Observez les durées de bronzage recommandées, cf. page 91.

Une fois que vous avez votre bronzage, 1 ou 2 séances de bronzage par semaine sont normalement suffisantes pour le conserver.

Devez-vous utiliser une crème solaire ?

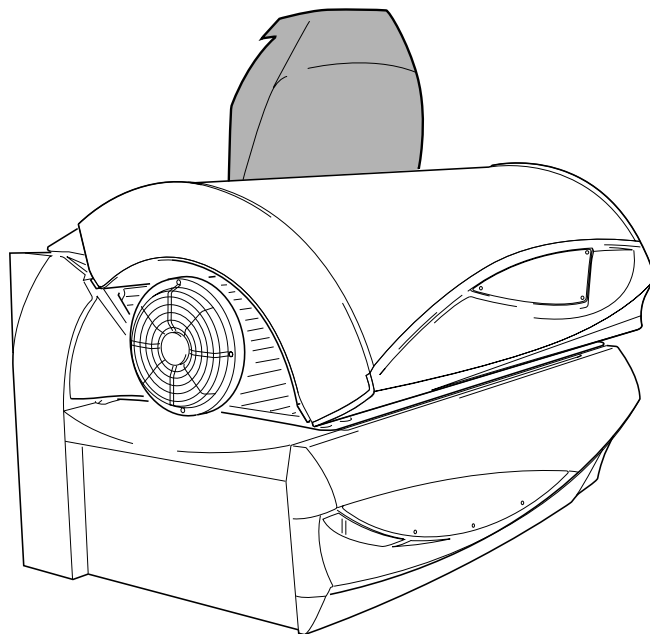
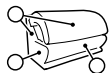
Non ! Il est recommandé de ne pas utiliser de crèmes solaires, d'huiles ou de lotions prévues pour l'extérieur. Les crèmes solaires cosmétiques

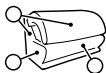
Veillez lire et observer ...

avec facteur de protection (SPF) sont prévues pour filtrer les rayons agressifs du soleil. Toutefois, la lumière de nos solariums ne contient que de très petites quantités de rayons comparables, ce qui rend inutile l'emploi de ce genre de protection. Au contraire, la peau doit être parfaitement propre et sèche avant chaque bain de soleil. Des nombreux maquillages pour visage contiennent des huiles et doivent être enlevés avant une séance.

Une ventilation appropriée de la pièce ou de la cabine du solarium est requise pour une utilisation correcte et confortable. Votre solarium fonctionnera le mieux à une température ambiante de 75 °F à 90 °F.

Après une séance de bronzage, il est recommandé d'appliquer une lotion hydratante sur la peau. Ceci donne un bronzage plus doux et plus agréable à regarder.





Bronzage

Début et fin de la séance de bronzage

L'appareil démarre automatiquement avec une minuterie interne ou externe et s'arrête automatiquement une fois la durée présélectionnée écoulée. Le ventilateur continue à fonctionner pendant env. 3 minutes (poursuite) afin de refroidir correctement l'appareil.



Note :

Instructions sur la minuterie : cf. manuel séparé.

Temps de préparation

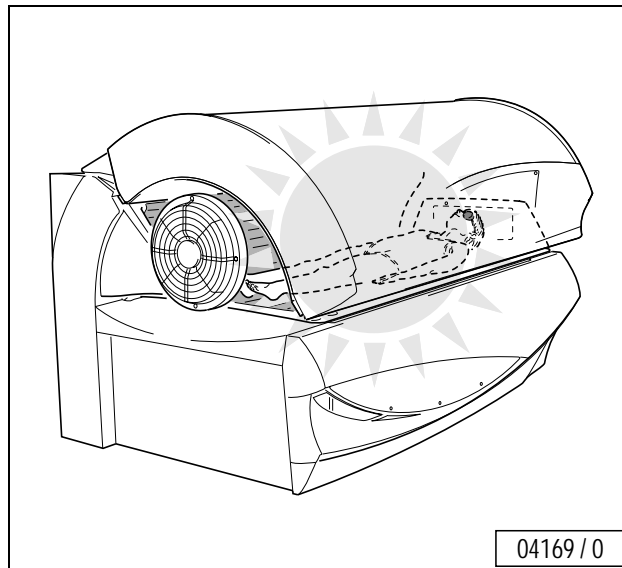
Avant que les lampes UV s'allument automatiquement, vous avez quelques minutes pour vous préparer. Pendant la préparation, vous pouvez allumer à tout moment les lampes UV en appuyant sur le bouton START/STOP.

- Enlevez vos vêtements et tous vos bijoux.
- Nettoyez maquillage et cosmétiques.
- Retirez vos lunettes. Vous pouvez conserver vos verres de contact sous les lunettes de protection.
- Mettez les lunettes de protection.
- Allongez-vous sur la banquette.
- Fermez la partie supérieure.

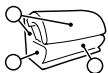
Selon le contrôleur, le solarium démarre automatiquement peu de temps après. Le solarium fonctionne quand les lampes UV sont allumées et quand les ventilateurs tournent.

Si l'appareil ne démarre pas une fois que vous avez fermé la partie supérieure :

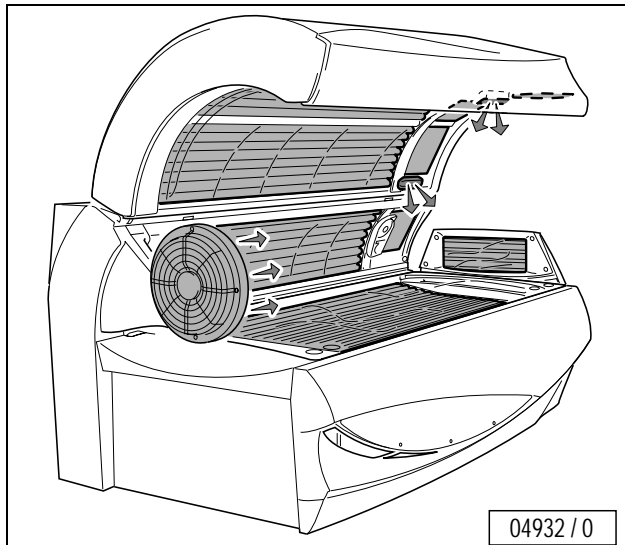
- appuyez sur START/STOP pour démarrer la séance de bronzage.



04169/0



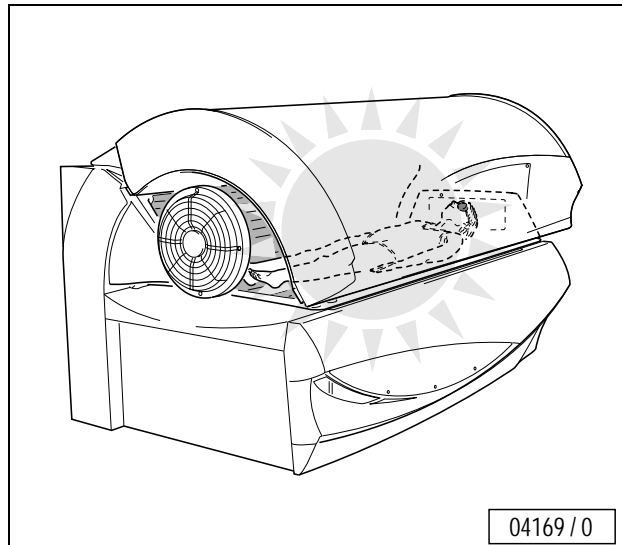
Réglages pendant le démarrage



04932 / 0



Pour interrompre la séance de bronzage



04169 / 0

La séance peut être interrompue pendant le bronzage en éteignant les lampes UV :

- Appuyez sur START/STOP pendant trois (3) secondes pour suspendre ou stopper le bronzage.
- Appuyez à nouveau sur START/STOP pendant trois (3) secondes pour rallumer les lampes.

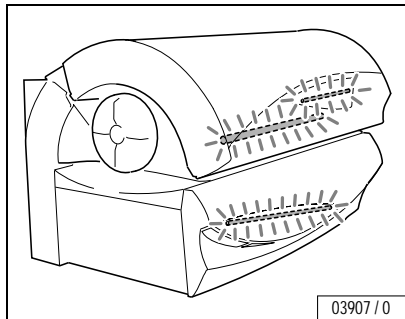


Service

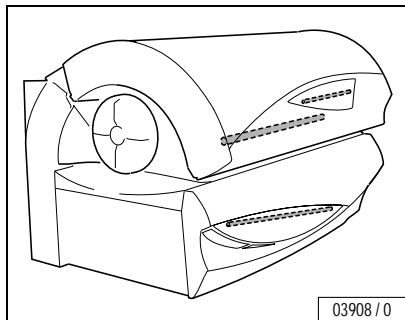
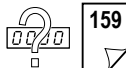




Durée de fonctionnement des lampes décoratives



03907 / 0

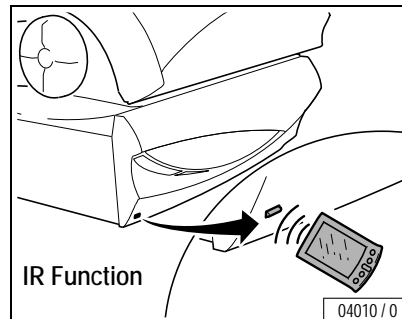
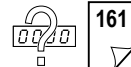


03908 / 0

Les lampes décoratives sont allumées pendant et après la séance de bronzage et s'éteignent automatiquement à la fin de la durée présélectionnée.

La durée de fonctionnement des lampes décoratives en mode veille peut être modifiée lors des préréglages – cf. page 159.

Fonction IR

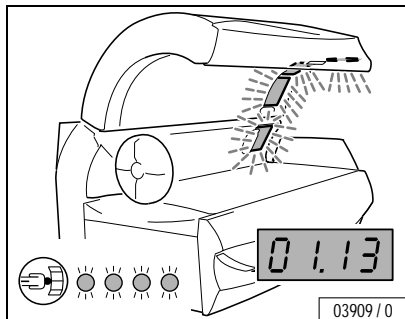


04010 / 0

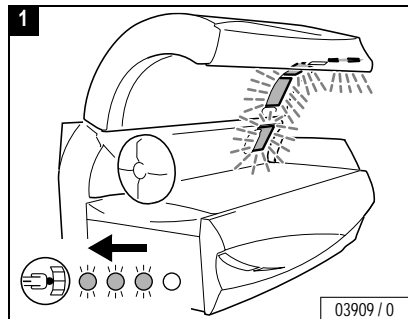




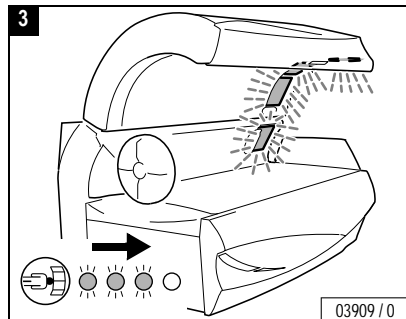
Bronzeurs faciaux



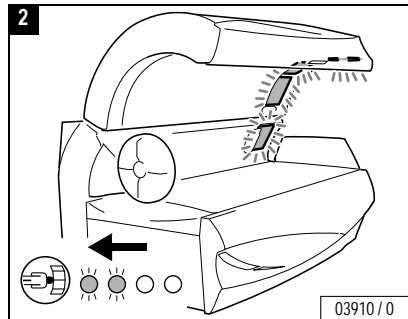
03909 / 0



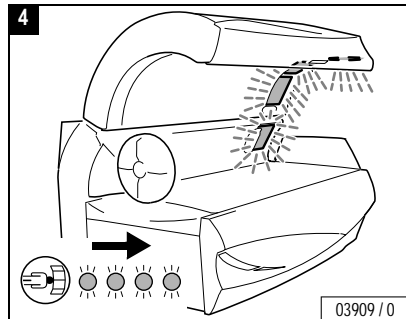
03909 / 0



03909 / 0



03910 / 0




03909 / 0




Service

Extinction des bronzeurs faciaux (OFF) :

- Appuyez sur le bouton  pendant deux (2) secondes.

Rallumage des bronzeurs faciaux :

- Appuyez à nouveau sur le bouton .
Les bronzeurs faciaux parviennent à leur plein rendement au bout d'environ une (1) minute.

F

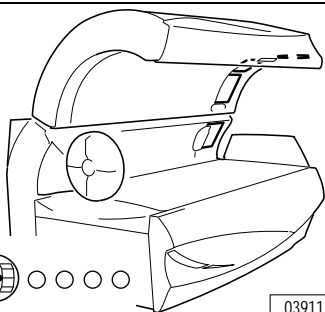


Service



Appuyez pendant deux (2) secondes.

3

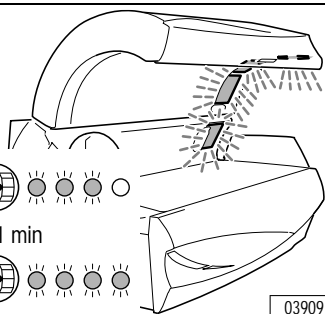


03911 / 0



Une (1) minute de temporisation .

4

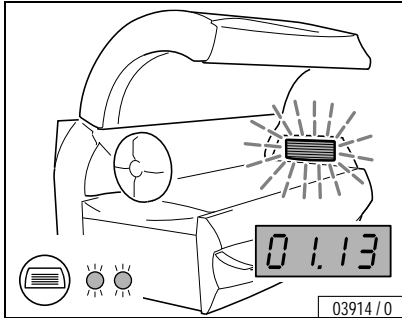


03909 / 0







Bronzeur pour épaules

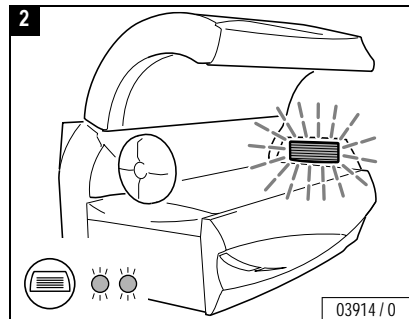
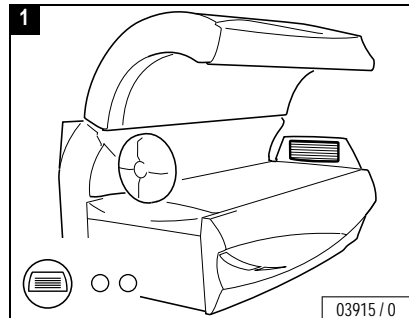
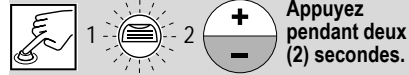


Extinction du bronzeur pour épaules (OFF) :

- Appuyez sur le bouton .
- Quand le bouton clignote, appuyez sur le bouton moins pendant deux (2) secondes pour éteindre le bronzeur pour épaules.

Rallumage du bronzeur pour épaules :

- Appuyez sur le bouton .
- Quand le bouton clignote, appuyez sur le bouton plus pour allumer le bronzeur pour épaules.

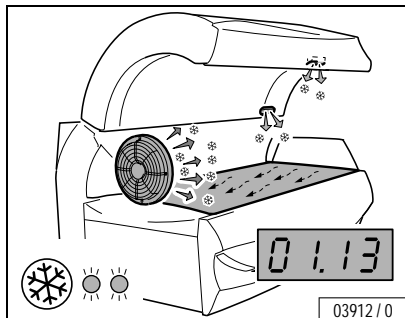


Service






Air conditionné




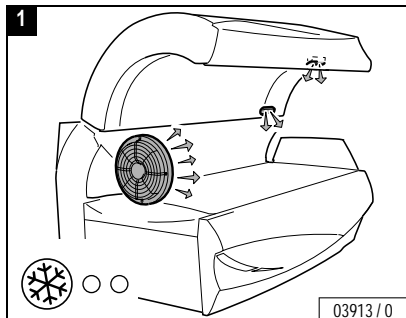
Pendant le démarrage, l'air conditionné est actif

Arrêt de l'air conditionné :

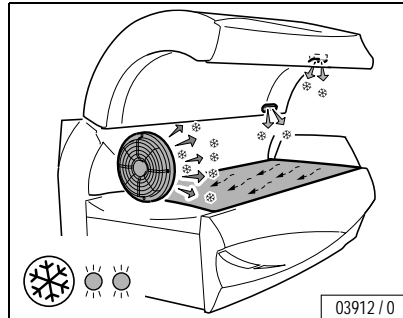
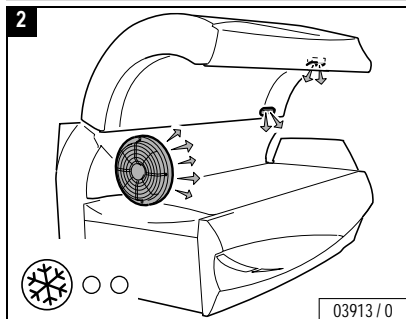
- Appuyez sur le bouton .
- Quand le bouton clignote, appuyez sur le bouton moins pendant deux (2) secondes pour arrêter l'air conditionné.

Remise en marche de l'air conditionné :

- Appuyez à nouveau sur le bouton .
- Quand le bouton clignote, appuyez sur le bouton plus. Il faut attendre environ 3 minutes avant de ressentir l'effet de refroidissement de l'air conditionné.

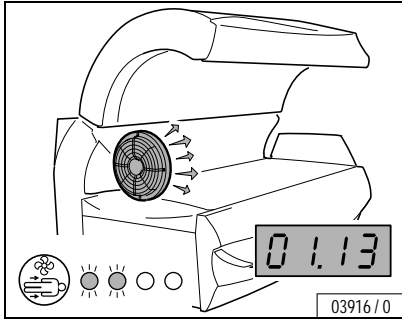



Trois (3) minutes de temporisation .

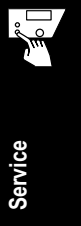
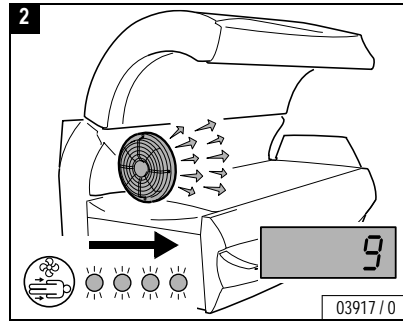
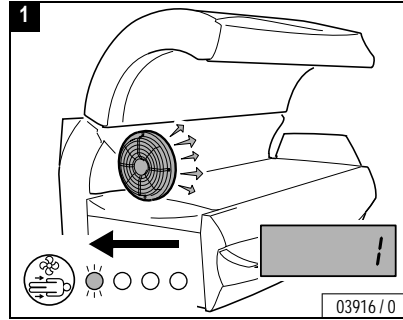




Ventilateur de refroidissement du corps – réglage de la vitesse



- Appuyez sur le bouton .
- Quand le bouton clignote, appuyez sur le bouton plus ou moins pour modifier l'intensité du flux d'air.



Service

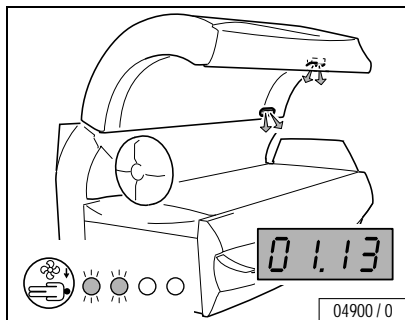


F




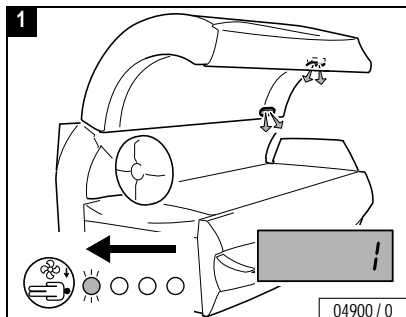
Service

Tuyères de rafraîchissement de visage intégral – réglage de la vitesse

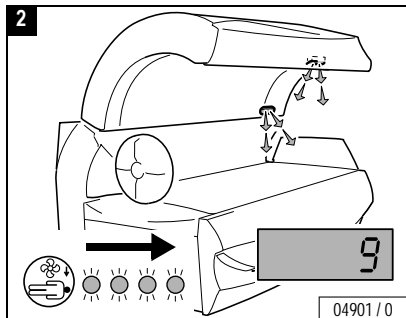


04900 / 0

- Appuyez sur le bouton .
- Quand le bouton clignote, appuyez sur le bouton plus ou moins pour modifier l'intensité du flux d'air.



04900 / 0

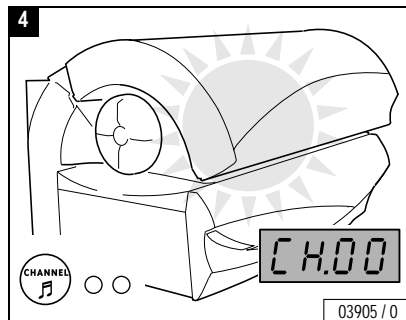
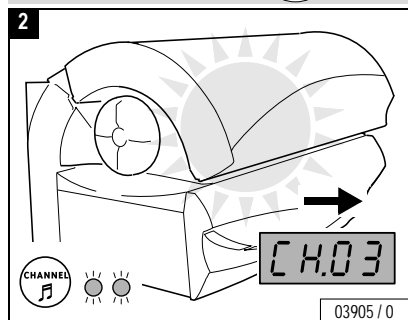
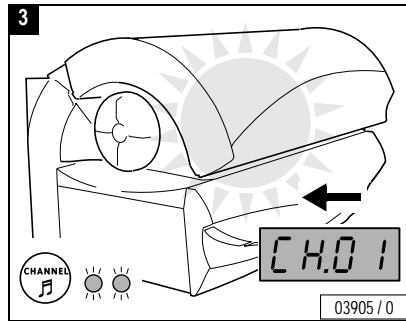
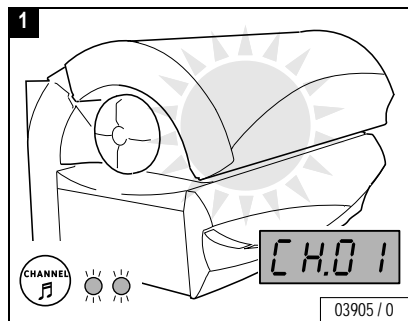
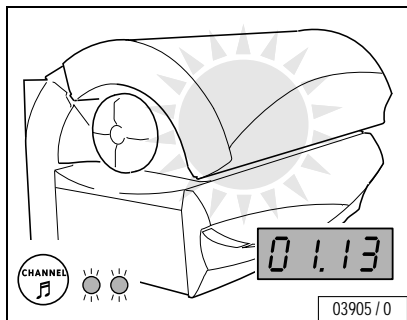


04901 / 0






Channel



Service



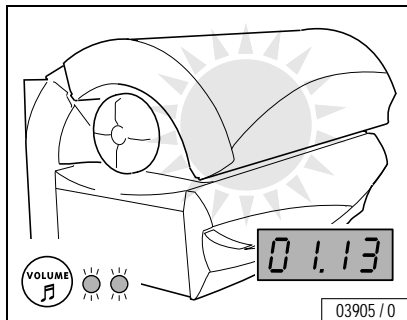
- Appuyez sur le bouton .


- Quand le bouton clignote, appuyez sur le bouton plus ou moins pour sélectionner un canal.

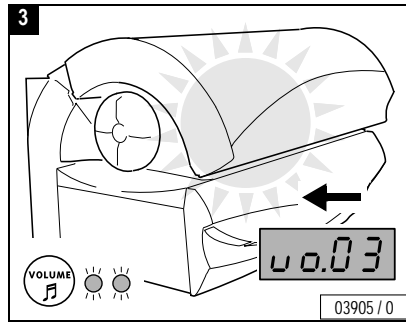
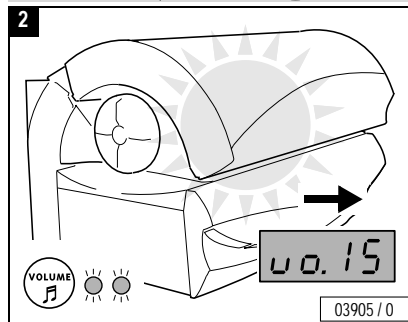
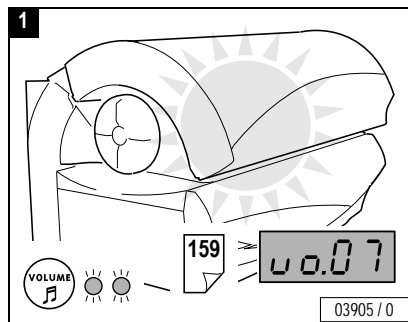
CH.00 autrement dit : aucun canal sélectionné, aucun son ; la musique est arrêtée (« OFF »).



Volume



- Appuyez sur le bouton .
- Quand le bouton clignote, appuyez sur le bouton plus ou moins pour modifier le volume.

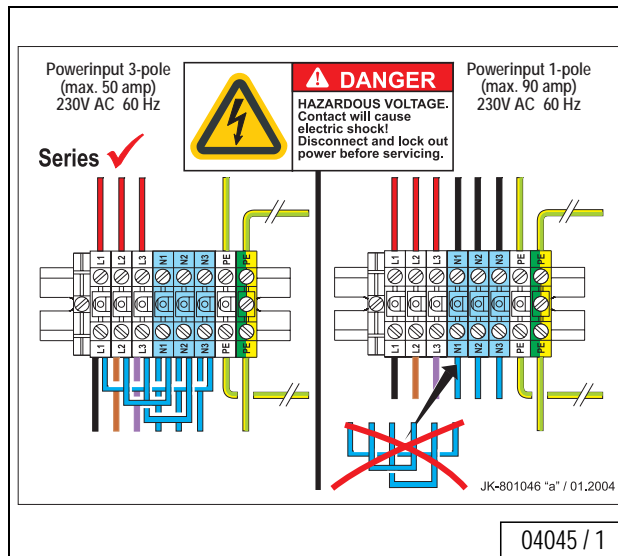




Caractéristiques techniques

F

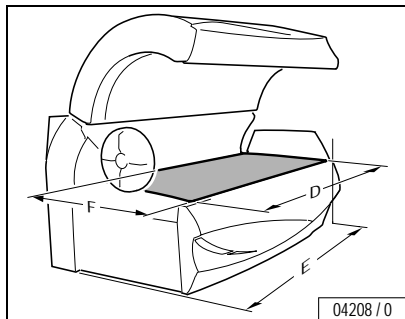
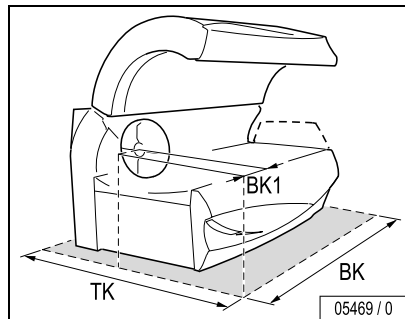
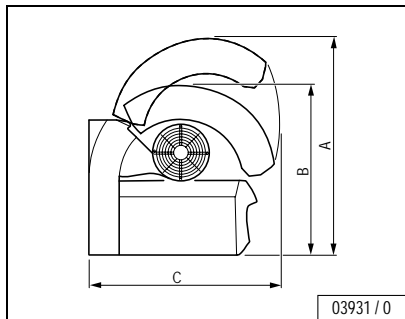
Type d'appareil :	Soltron XL-70 Turbo Plus
Puissance nominale :	13900W ❄️ 15000W
Tension nominale :	230 V
Fréquence nominale :	60 Hz
Pouvoir de coupure nominal :	60 amp 3 pôles 80 amp 2 pôles
Marque de contrôle :	



Caractéristiques tech.



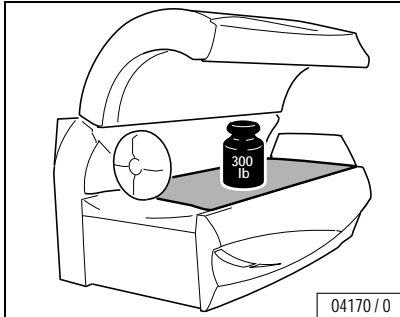
Tolérance solarium dans la pièce



A = 1740 mm	A = 68 1/2 in
B = 1360 mm	B = 53 9/16 in
C = 1430 mm	C = 56 5/16 in
D = 2040 mm	D = 80 5/16 in
E = 2340 mm	E = 92 1/8 in
F = 900 mm	F = 35 7/16 in
BK = 2500 mm	BK = 8 1/2 ft 100 in
TK = 2300 mm	TK = 7 1/2 ft 90 in
BK1 = 100 mm	BK1 = 3 15/16 in



Charge maximale autorisée



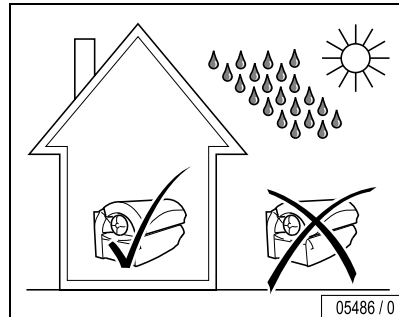
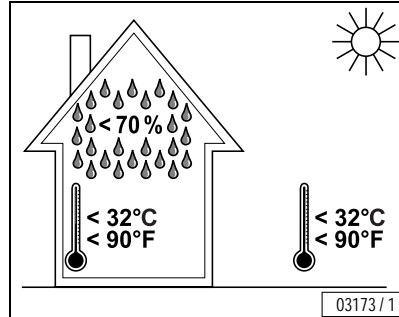
AVERT. !

Avertissement – bris possible du panneau acrylique !

De graves coupures par le verre et brûlures par les lampes chaudes peuvent en résulter !

- Une seule personne adulte à la fois est autorisée.
- Les personnes d'un poids supérieur à 300 lb (150 kilos) ne doivent en aucun cas utiliser l'appareil.

Température / humidité ambiantes maximum





Caractéristiques tech.



Nettoyage planifié

F

 Nettoyer si nécessaire !	① - ⑪ 	⑬ 	
	⑪ 		
	③ 		

Maintenance

F**Maintenance planifiée – filtres**

/50 h	⑤ 4 x			51 937		152
	⑨ 2 x			800 601		154
	⑫ 1 x			51 975		157
	② 2 x			800 278		155

**Maintenance**



Maintenance planifiée – éclairage de décoration

F

	<p>03934 / 0</p>			
	a) 1 x blanc 13 W		12408	150
	b) 1 x blanc 30 W		12490	151
	c) 1 x bleu 30 W		12377	151
	a) b) 3 x		10047	
	c) S10			

Maintenance



Maintenance planifiée – lampes à décharge, starters

XL-70 Turbo Plus			
	500 h	a) b) c)	
		d) 4 x Ergoline 500 W	
		f) 19 x Soltron VHP 12 160 W Turbo Power	
		g) 8 x Soltron VHP 12 160 W Turbo Power	
		h) 24 x Soltron VHP 12 160 W Turbo Power	
		e) 7 x Soltron VHP 25 W power	
	1,000 h	f) g) h) 51 x S12	
		e) 7 x S10	
	3,000 h	d) 4 x ultra ViT 2.4 PLUS	



Les lampes UV haute pression utilisées, Ergoline 500 W (bronzeur facial), sont des éléments de chauffage à large bande pouvant fonctionner à des puissances diverses (approx. 240-520 W).




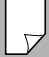
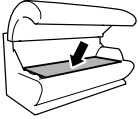




Lampes à décharge UV basse pression : nettoyer à l'eau claire (par ex. à l'aide d'un chiffon humide).



Panneaux filtrants : nettoyer à l'eau claire (par ex. à l'aide d'un chiffon humide).



				
1,500 h	④ 		700 711	135
3,000 h	③ 		800 665	135



Instructions relatives au remplacement des lampes / maintenance

En tant qu'exploitant et/ou opérateur, vous devez impérativement vérifier tous les composants pour vous assurer qu'ils ne comportent pas de signes d'usure susceptibles de se produire en service normal.

- Observez le plan de nettoyage et de maintenance spécifié dans le tableau de maintenance à la page 128 à 133.
- Ne remplacez pas la lampe UV basse pression que par des lampes originales de même type ou des lampes compatibles.
- Ne remplacez pas la lampe UV haute pression que par des lampes originales de même type ou des lampes compatibles.

Si vous avez besoin d'assistance ou d'informations supplémentaires, veuillez contacter la Global Service Division au 1-800-445-0624, du lundi au vendredi, de 8:00 à 19:00 heures (CST).



ATTENTION – Dommages dus à une maintenance incorrecte !

Une maintenance incorrecte peut être la cause d'endommagements de l'appareil, le rendant inutilisable.

- Observez toujours les intervalles de maintenance spécifiés.
- Suivez les instructions de nettoyage.
- Si les intervalles de maintenance des lampes UV sont dépassés ou si des lampes UV incompatibles sont installées, le pourcentage de rayons UVB nocifs peut augmenter. Des coups de soleil ou autres endommagements de la peau peuvent en résulter !



Danger de brûlures dû aux lampes et pièces de machines chaudes

AVERT. !

Quand le solarium fonctionnait avant la mise hors tension et l'ouverture, ses lampes et ses pièces peuvent être chaudes.



– Avant de remplacer les lampes ou d'autres pièces détachées, attendez que les lampes et les pièces métalliques soient suffisamment refroidies.



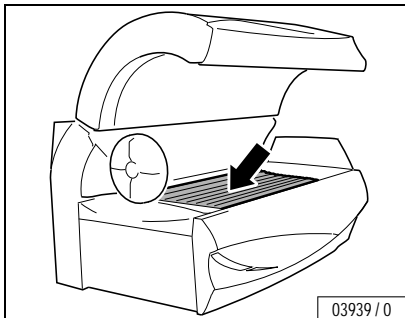
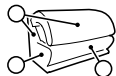
Danger de pincement !

Quand vous ouvrez et fermez le bac, les panneaux et les recouvrements, vous pouvez vous pincer les doigts.

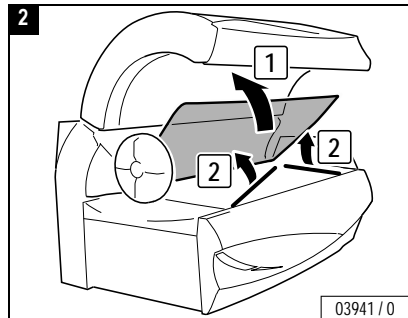


Partie inférieure, lampes à décharge UV basse pression

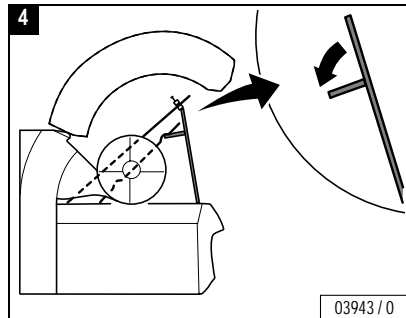
F



03939 / 0



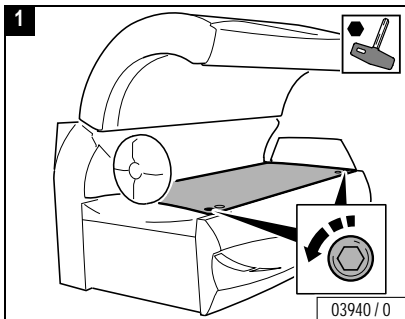
03941 / 0



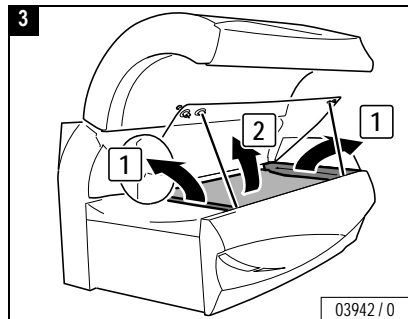
03943 / 0



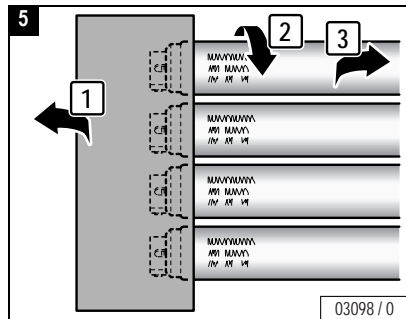
Mettez l'appareil hors tension !



03940 / 0

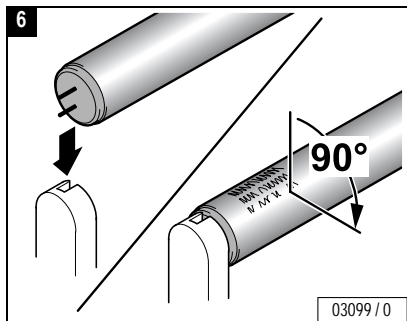


03942 / 0

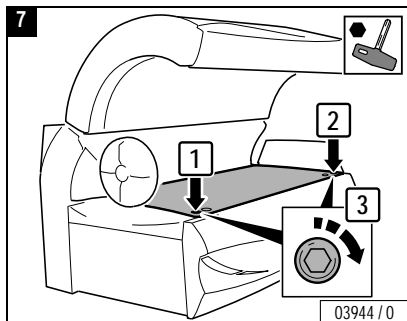


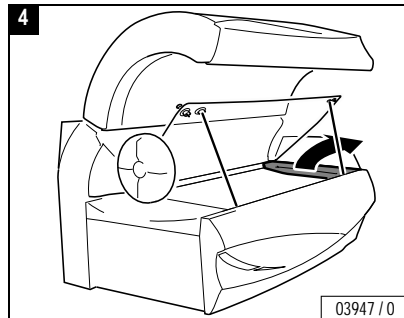
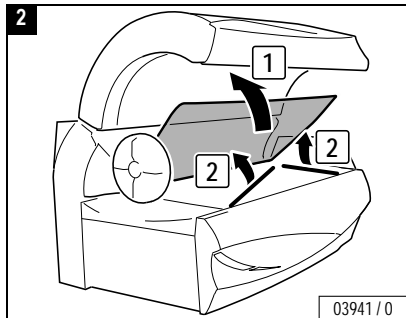
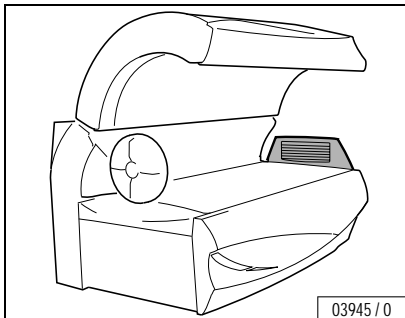
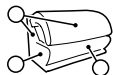
03098 / 0

Maintenance

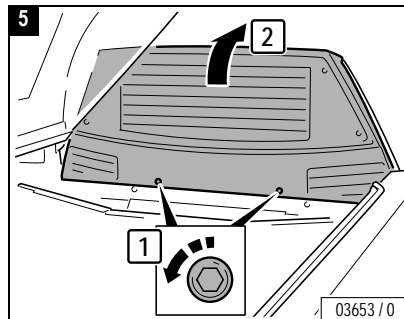
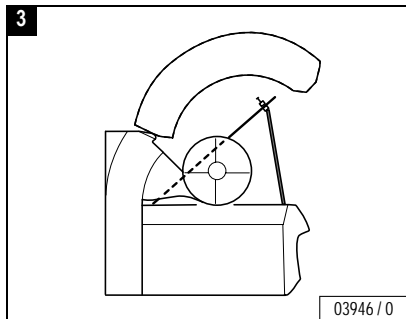
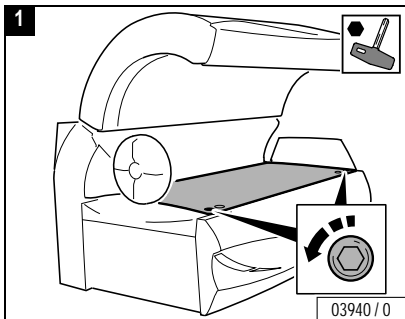


Fermer :

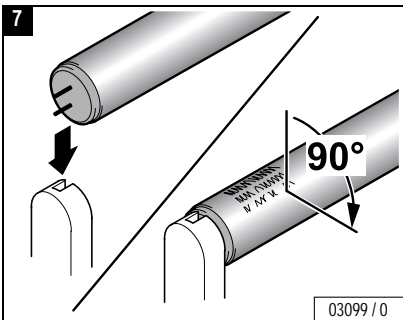
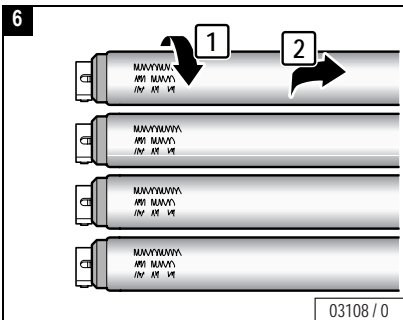




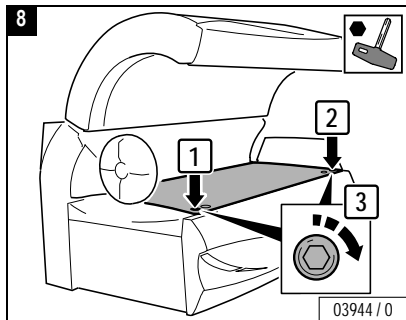
Mettez l'appareil hors tension !



Maintenance 



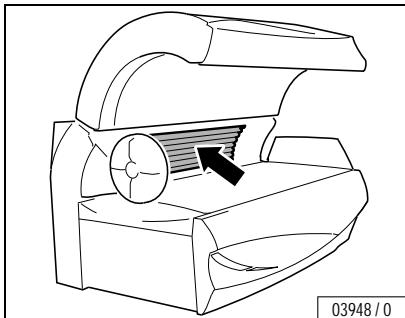
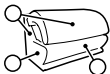
Fermer :



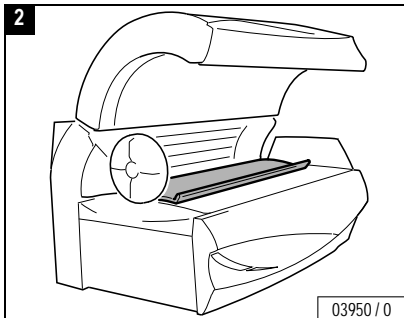


Partie latérale, lampes à décharge UV basse pression

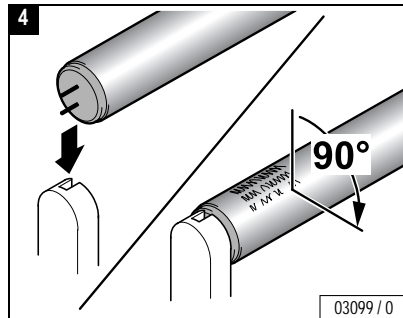
F



03948 / 0



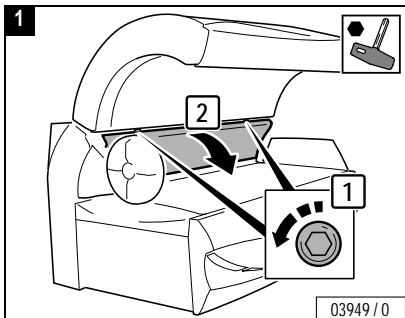
03950 / 0



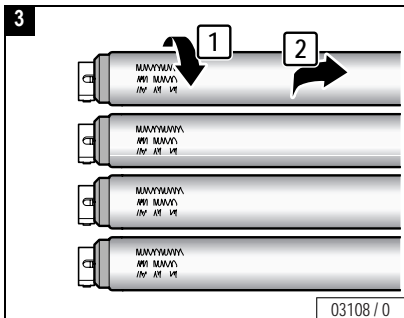
03099 / 0



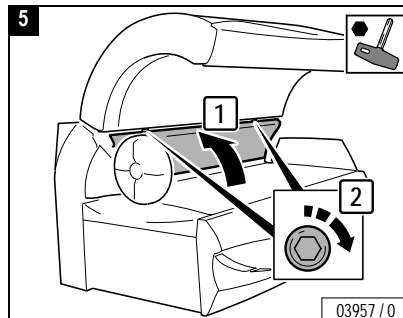
Mettez l'appareil hors tension !



03949 / 0



03108 / 0



03957 / 0

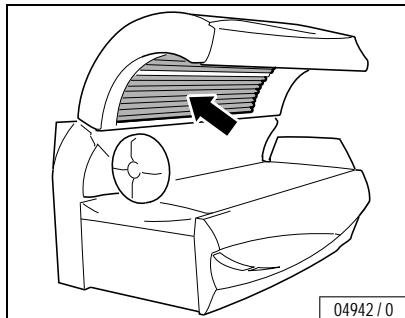
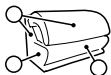
Fermer :

Maintenance

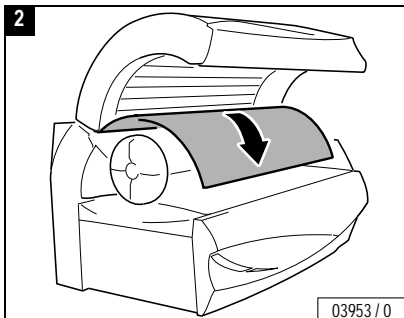
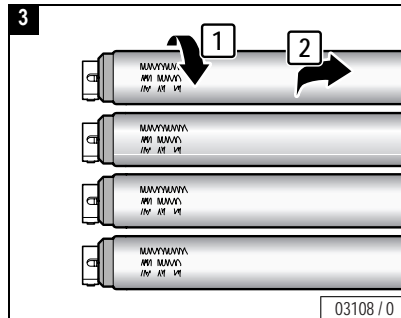
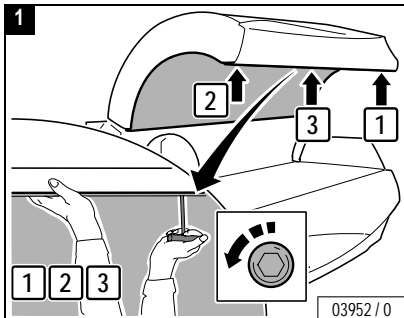




Partie supérieure, lampes à décharge UV basse pression



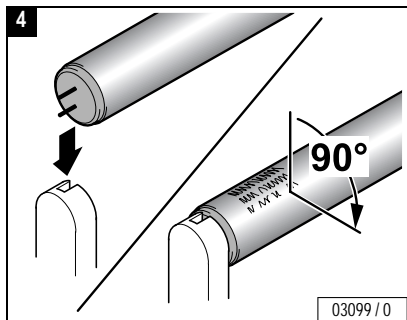
Mettez l'appareil hors tension !



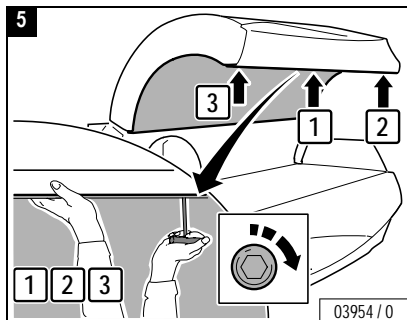
Danger de blessures par la partie supérieure !

AVERT. ! La partie supérieure est lourde et tombe d'elle-même quand les 3 vis sont desserrées.

- Etalez la partie supérieure.
- Desserrez les vis dans l'ordre indiqué.



Fermer :

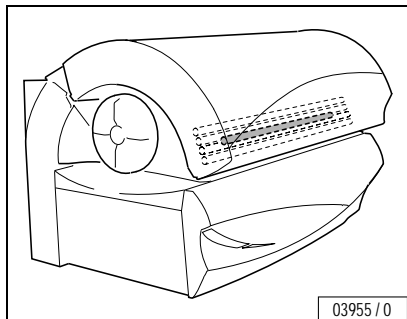
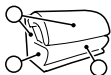


Maintenance 

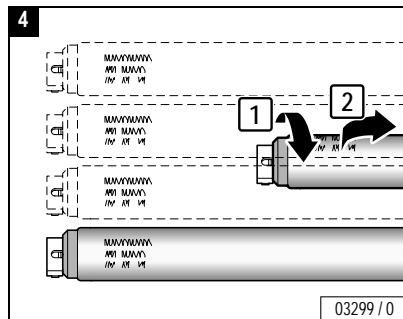
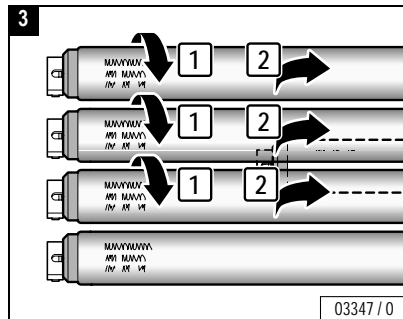
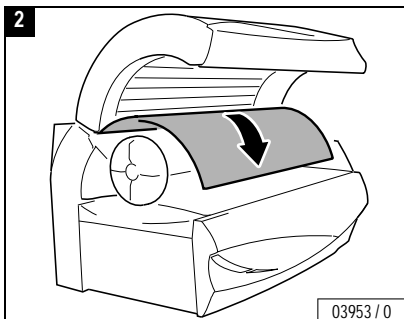
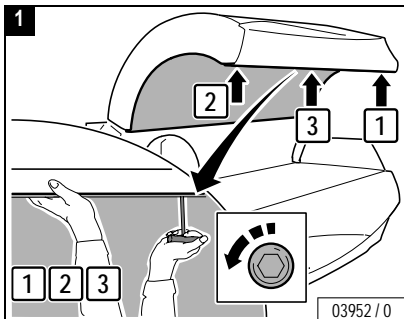




Partie supérieure, éclairage intérieur



Mettez l'appareil hors tension !



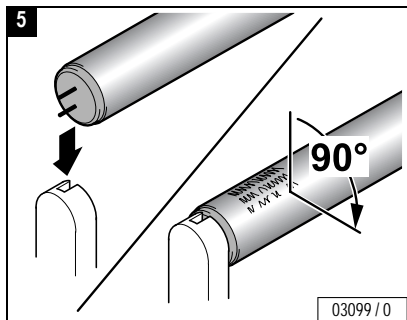
Maintenance



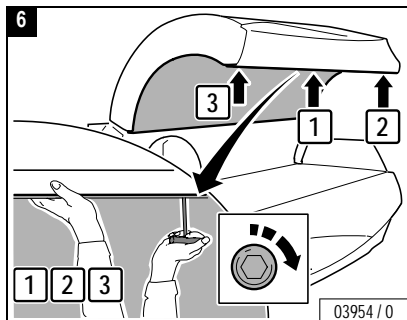
Danger de blessures par la partie supérieure !

AVERT. ! La partie supérieure est lourde et tombe d'elle-même quand les 3 vis sont desserrées.

- Etayer la partie supérieure.
- Desserrez les vis dans l'ordre indiqué.

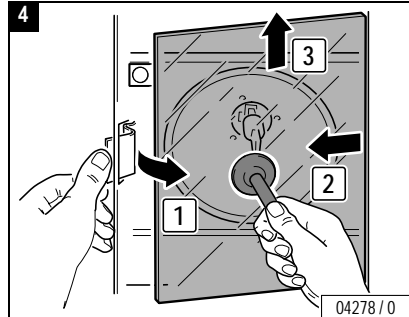
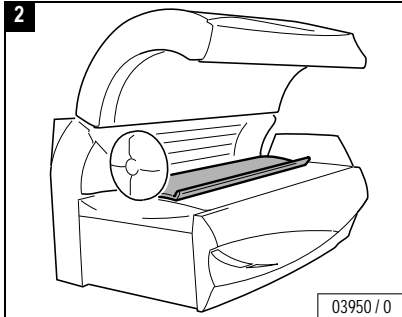
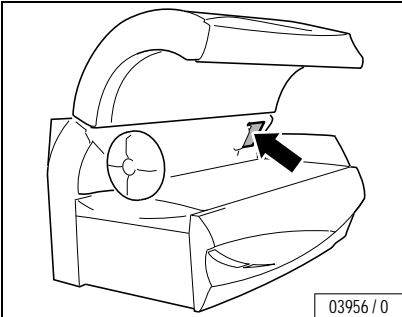
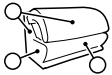


Fermer :



Maintenance

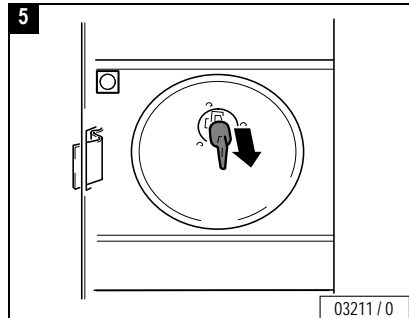
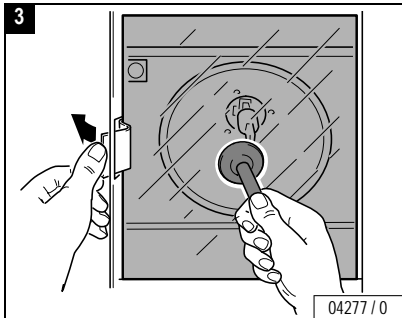
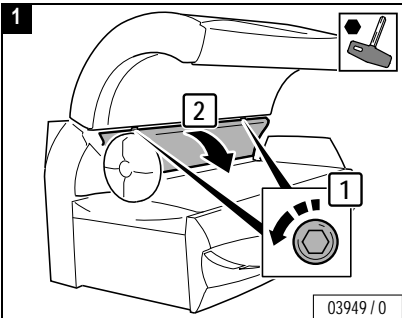




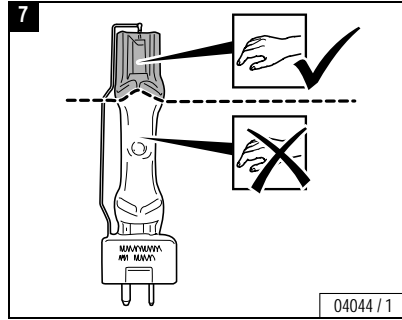
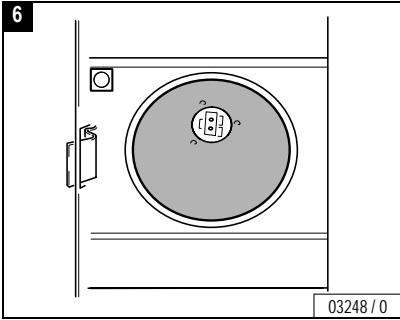
Maintenance



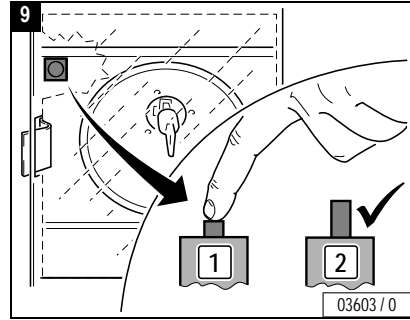
Mettez l'appareil hors tension !



...



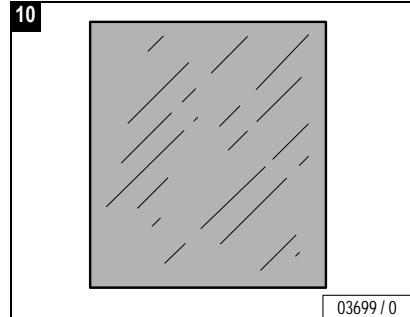
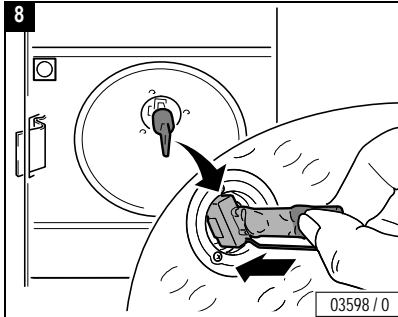
- Vérifiez l'interrupteur de sécurité :

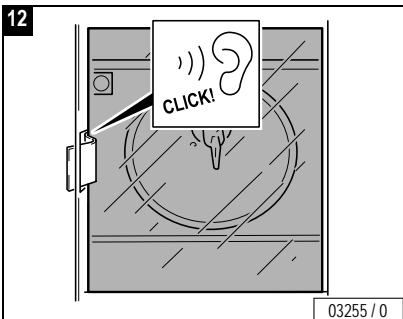
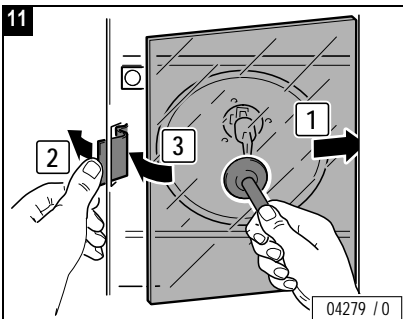


ATTENTION !

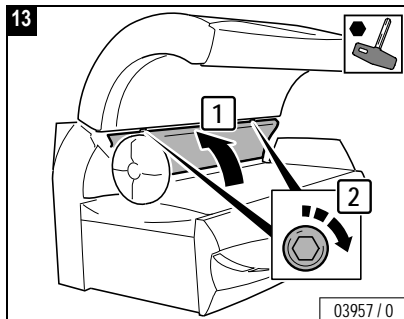
Ne touchez pas aux ampoules de verre des lampes UV haute pression avec les doigts nus ! Enlevez soigneusement les salissures.

- Ne touchez la nouvelle lampe UV haute pression que sur la surface de saisie - cf. figures 7 et 8.





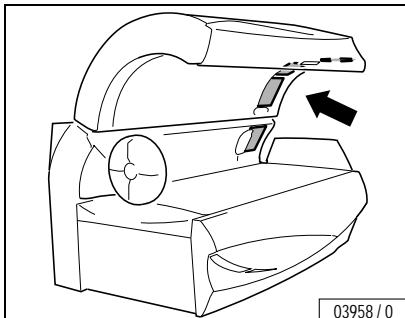
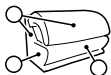
Fermer :



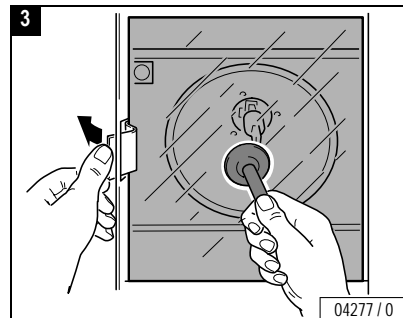
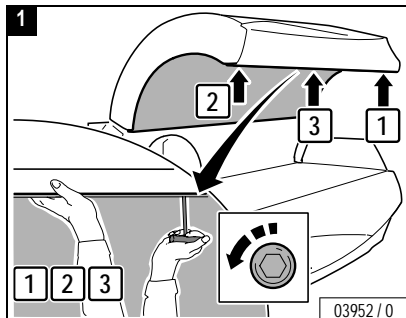


Partie supérieure, lampes à décharge UV haute pression

F



**Mettez l'appareil
hors tension !**

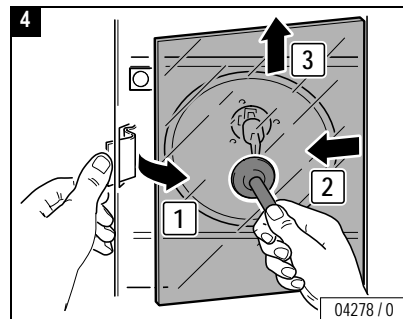
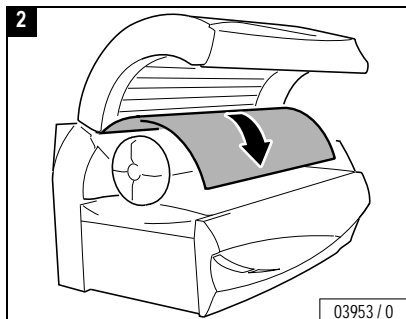


**Danger de blessures par la
partie supérieure !**

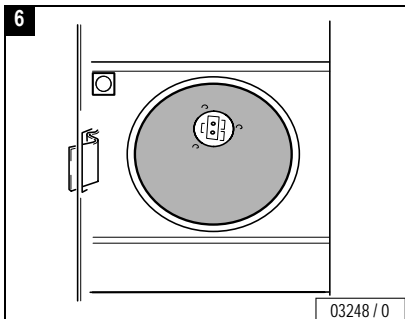
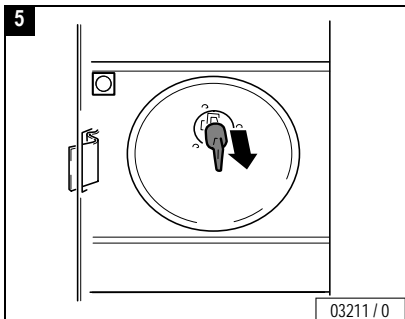
AVERT. ! La partie supérieure est lourde et

tombe d'elle-même quand les
3 vis sont desserrées.

- Etayez la partie supérieure.
- Desserrez les vis dans l'ordre
indiqué.



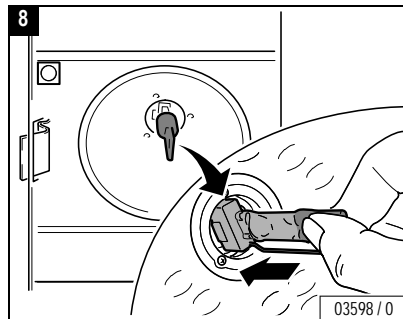
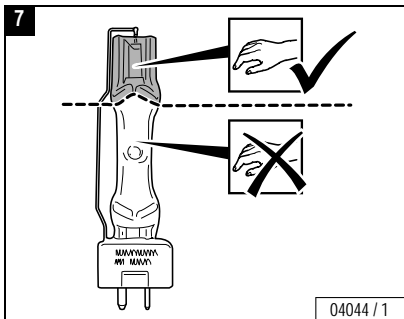
Maintenance



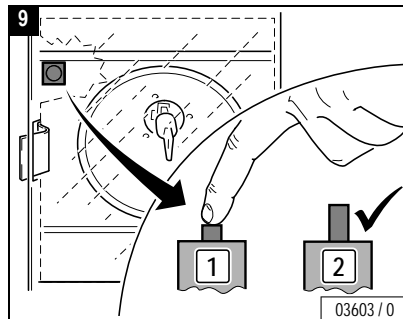
ATTENTION !

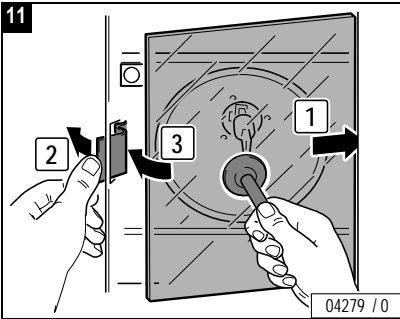
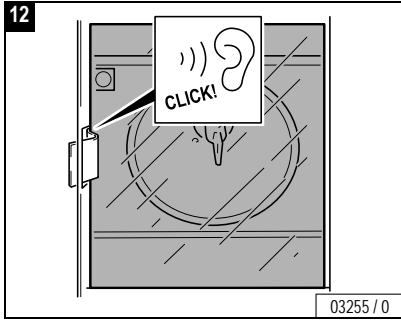
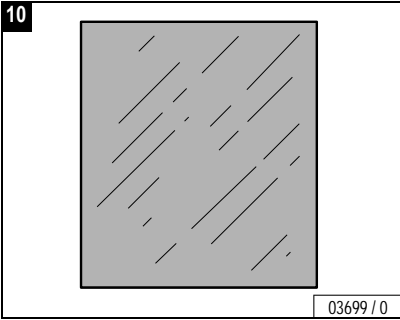
Ne touchez pas aux ampoules de verre des lampes UV haute pression avec les doigts nus ! Enlevez soigneusement les salissures.

- Ne touchez la nouvelle lampe UV haute pression que sur la surface de saisie – cf. figures 7 et 8.

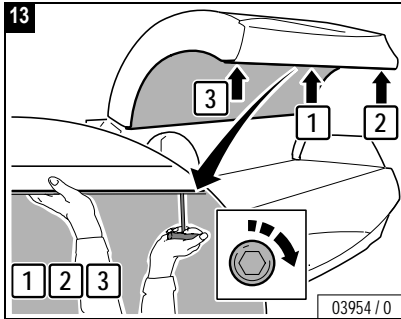


- Vérifiez l'interrupteur de sécurité :



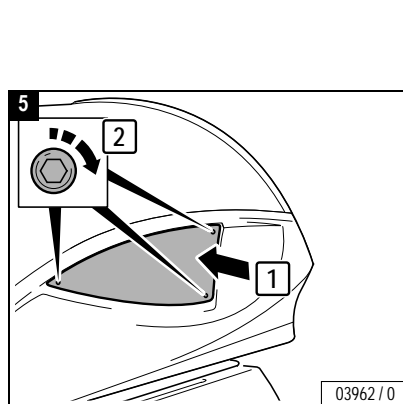
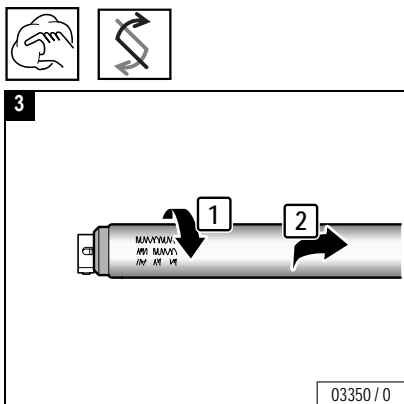
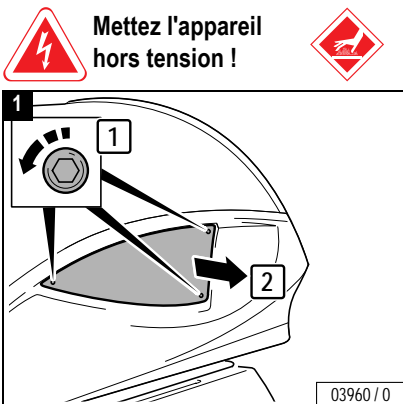
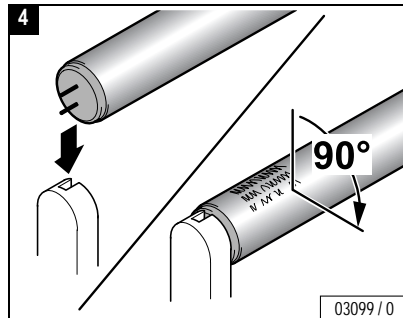
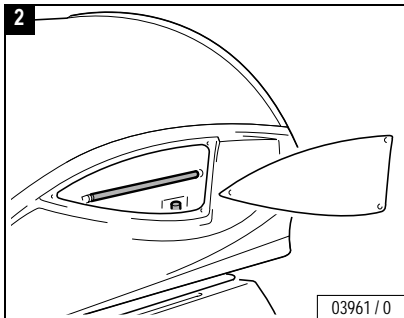
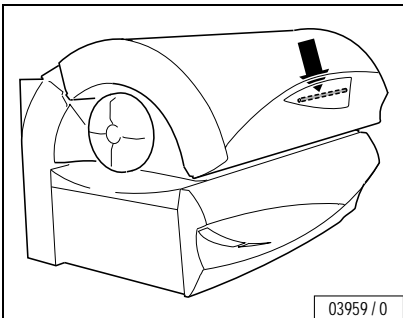
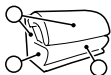


Fermer :





Éclairage de décoration, partie supérieur



Maintenance



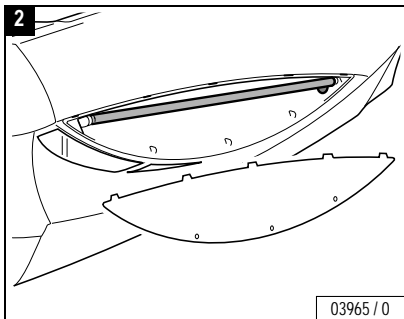
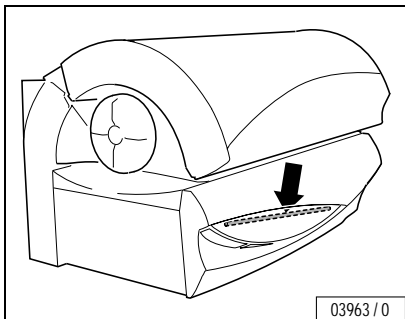
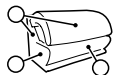
Mettez l'appareil hors tension !



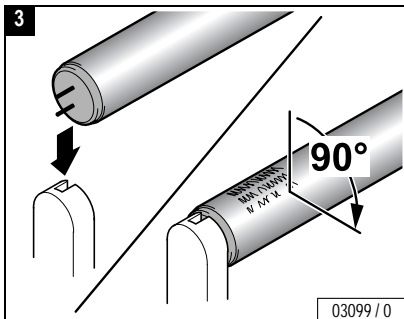
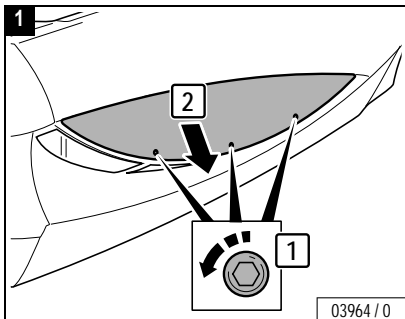


Éclairage de décoration, panneau frontal

F



**Mettez l'appareil
hors tension !**

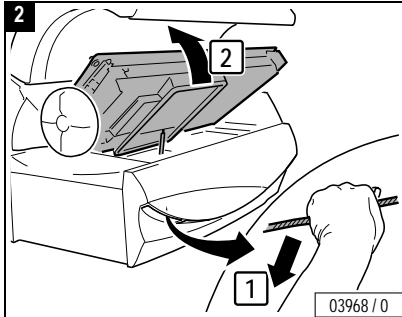
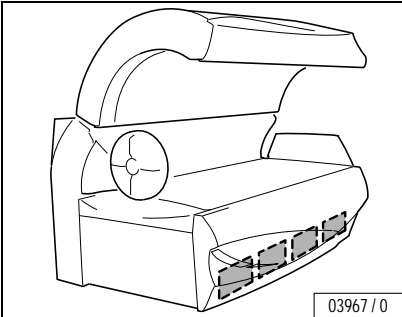
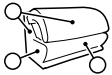


Maintenance

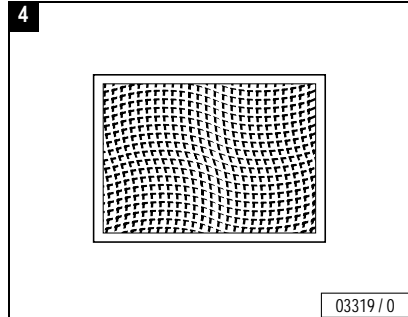




Partie inférieure, filtres



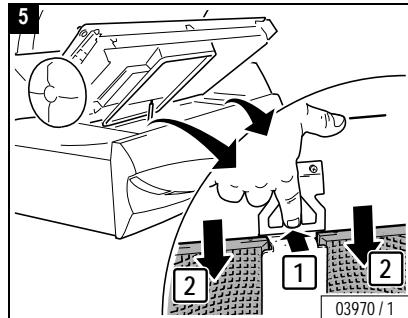
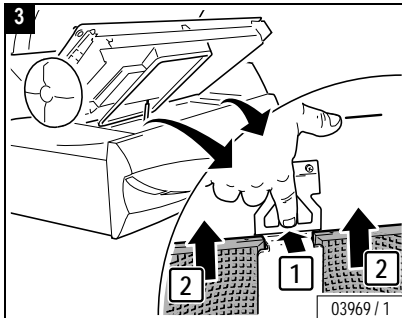
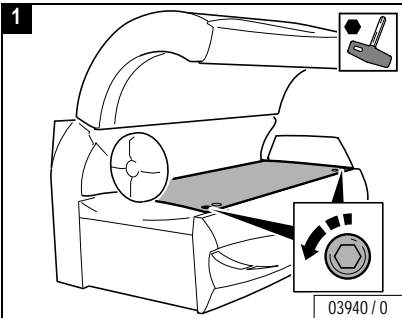
Essayez légèrement, à sec ou avec de l'eau, ou utilisez un aspirateur.

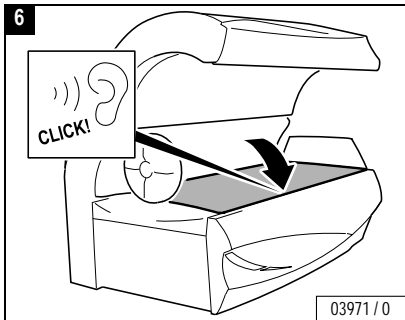


Maintenance

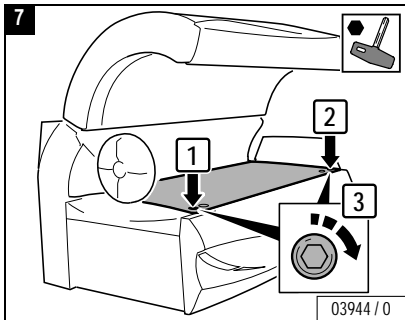


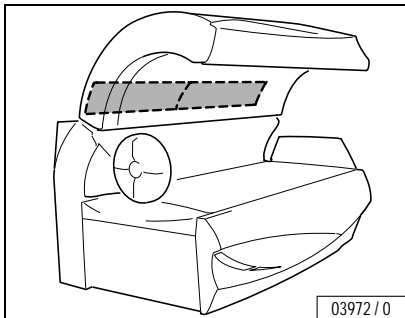
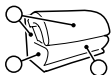
Mettez l'appareil hors tension !



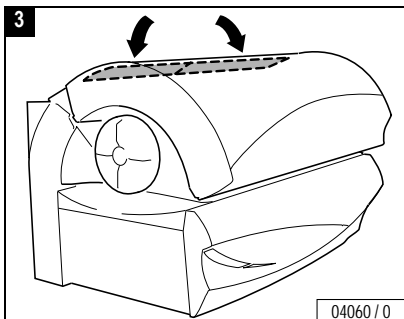
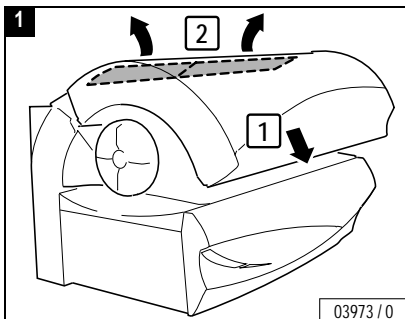
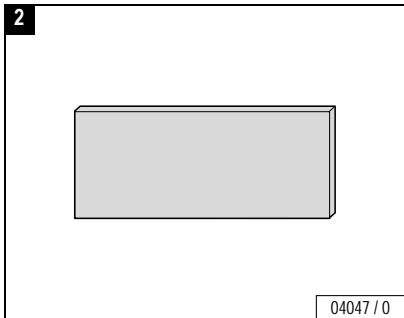


Fermer :



**Partie supérieure, nattes filtrantes**

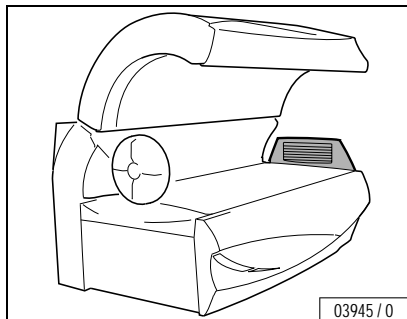
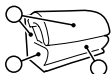
Rincez à l'eau ou remplacez.

**Maintenance**

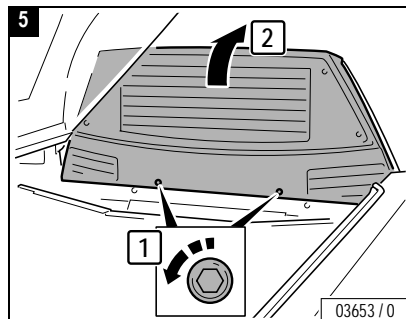
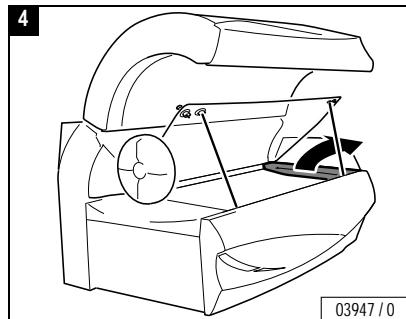
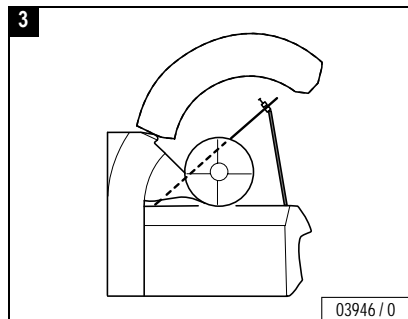
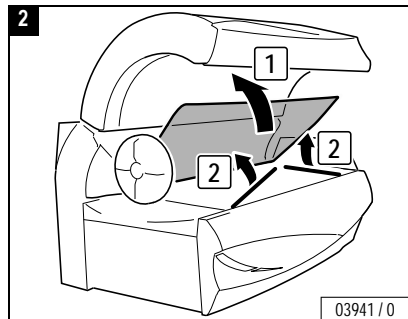
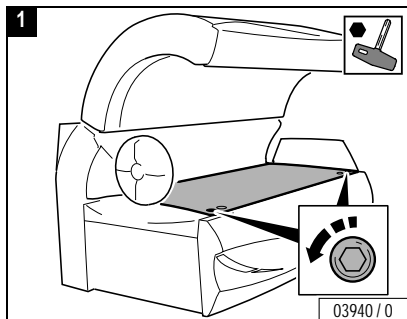


Lampes solaires pour épaules, nattes filtrantes

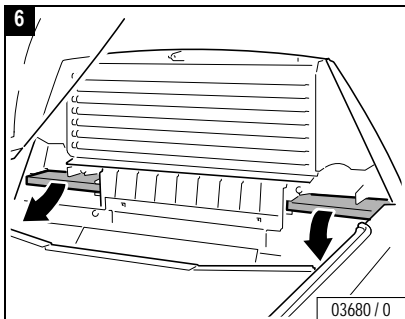
F



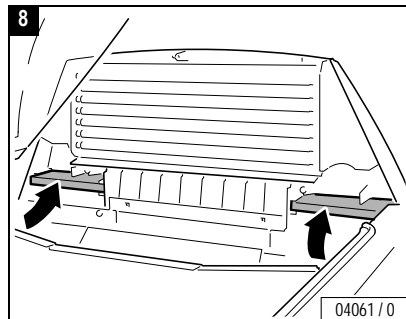
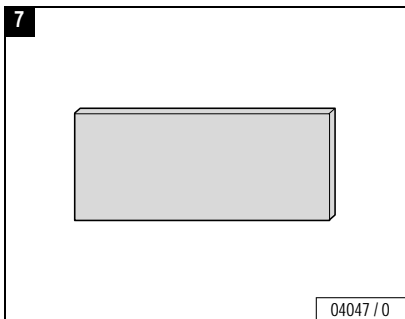
Mettez l'appareil hors tension !



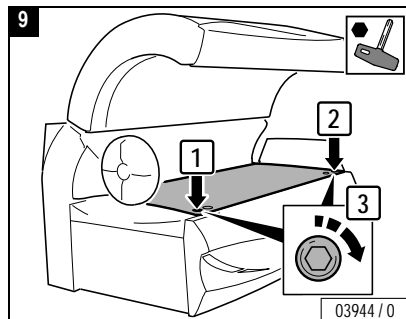
Maintenance 



Rincez à l'eau ou remplacez.



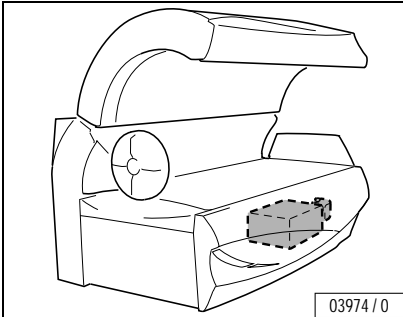
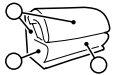
Fermer :





Système d'air conditionné, eau de condensation et natte filtrante

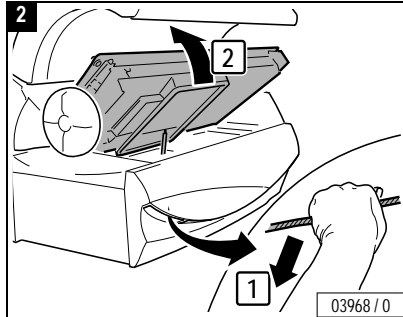
F



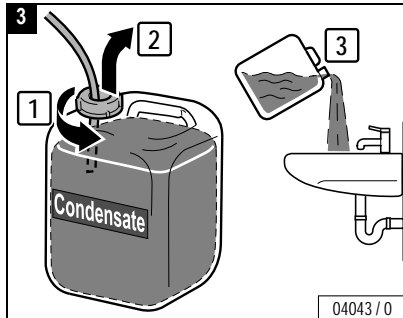
03974 / 0



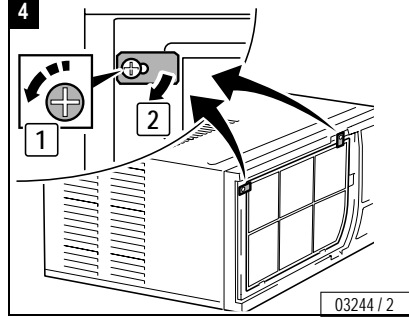
Mettez l'appareil hors tension !



03968 / 0



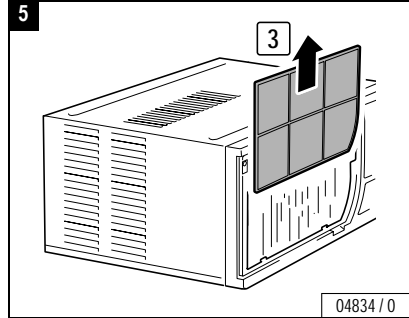
04043 / 0



03244 / 2

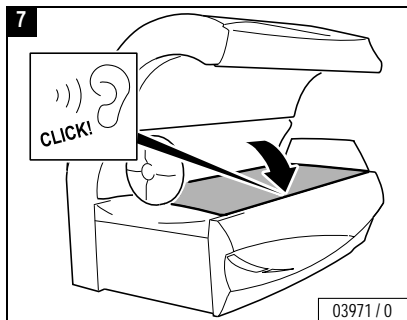
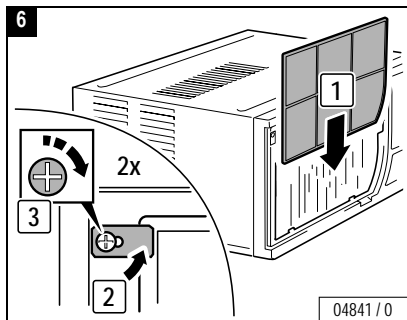


Nettoyez avec soin (aspirateur ou lavage) ou remplacez.

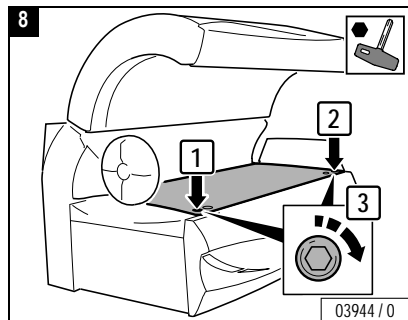


04834 / 0

Maintenance



Fermer :








Réglages préliminaires via le tableau de commande

Le mode de réglages préliminaires permet de visualiser les états de fonctionnement et de procéder aux réglages préliminaires.

Activer le mode de réglage préliminaire

- En dehors d'une séance de bronzage, appuyer simultanément sur les touches – et + pendant au moins 5 secondes.
- L'écran affiche alors . Saisir le code (voir page 160).
- Lors de la première activation du mode de réglage préliminaire, actionner 4 fois la touche START/STOP.
-  est d'abord affiché brièvement, puis en alternance  (fonction 1) et la valeur de préréglage (voir la colonne « A la livraison »).
- Appuyer sur la touche + pour passer à la fonction suivante (de -01- à -19-).
- Appuyer sur la touche – pour passer à la fonction précédente (de -19- à -01-).

Modifier les réglages préliminaires

Pour augmenter la valeur préréglée :

- Maintenir la touche START/STOP enfoncée et appuyer simultanément sur la touche +.

Pour diminuer la valeur préréglée :

- Maintenir la touche START/STOP enfoncée et appuyer simultanément sur la touche –.

Pour revenir à la dernière valeur réglée :

- Appuyer sur la touche START/STOP.

Pour réinitialiser l'appareil à l'état à la livraison :

- Voir fonction .



Remarque :

L'unité retournera automatiquement en mode veille après 30 secondes si vous n'avez actionné aucune autre touche. Les valeurs de réglage actuelles sont reprises.




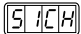
Modification des valeurs :

Les réglages préliminaires sont indiqués à partir de la page 162.





Définir un code

- Sélectionner la fonction .
- Actionner la touche START/STOP pendant 3 secondes jusqu'à ce que l'écran affiche .
- Appuyer sur les touches souhaitées.
- Lorsque  est à nouveau affiché, répéter la saisie dans le même ordre.
- L'écran affiche alors . Le nouveau code a été mémorisé.
- Noter le code à l'intention du service après-vente.

Une nouvelle combinaison peut être définie à tout moment si l'ancien code est connu. Il est recommandé de redéfinir le code d'accès dès la première mise en service.



Réglages préliminaires à l'aide d'un ordinateur de poche

Vous avez également la possibilité d'utiliser un ordinateur de poche de type courant (de la marque Palm par exemple). Vous avez besoin à cet effet d'un logiciel spécial (disponible en allemand et en anglais). Pour plus de détails, veuillez appeler le 1-866-243-9861.



Attention !

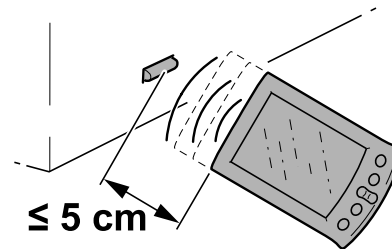
Le code d'accès via l'interface infrarouge, pré-configuré dans le logiciel, est valable quel que soit l'appareil. Ce logiciel, disponible sur Internet, permet à toute personne disposant d'un ordinateur de poche d'accéder aux données des appareils. Veillez par conséquent à ce que les techniciens de maintenance modifient le code d'accès prédéfini lors de la première mise en service - Voir le guide de l'utilisateur du logiciel. Notez le nouveau code pour une utilisation ultérieure !



Remarque :

La procédure à suivre pour la lecture ou la modification des données est indiquée dans le guide de l'utilisateur du logiciel Soltron.

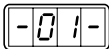

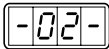
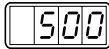
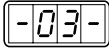
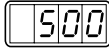
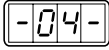
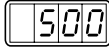
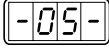
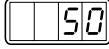
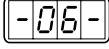

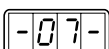
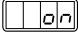
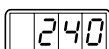
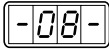

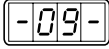
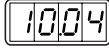
Pour l'utilisation de l'ordinateur de poche, se reporter à la documentation du fabricant.



IR Function

04002 / 0



N°.	Description	à la livraison	Valeurs de - à
	Compteur totaliseur durée de fonctionnement		0 → 9999
	Durée restante des lampes à décharge UV basse pression (heures)		500 → 0000
	Durée restante des lampes à décharge UV haute pression (heures)		500 → 0
	Durée de fonctionnement des lampes solaires pour épaules (heures)		500 → 0
	Durée restante du filtre (heures)		50 → 0
	Heures de service du système d'air conditionné		0 → 9999
	Durée de l'éclairage de décoration (minutes) En cas de dépassement de la valeur maximale : affichage  = fonctionnement continu		1 → 1440
	Temps de poursuite du ventilateur d'appareil (minutes)		3 → 10
	Réglage de l'heure		1 → 23 01 → 59




N°.	Description	à la livraison	Valeurs de - à
	Réinitialisation de l'appareil à l'état à la livraison (toutes les fonctions)		
	Réglage de l'autorisation d'accès au mode de pré-réglage (voir page 160)		
	Réglage du volume pour la musique (SoundSystem)		7 → 63
	Valeur de consigne de la température ambiante (°C)		15 → 30
	Retour de l'air chaud pendant le temps de poursuite du ventilateur (+ = on / - = OFF)		
	Température minimale appareil de climatisation		15°C → 25°C





Défauts, causes et dépannage

En cas de dysfonctionnement, des codes d'erreur apparaissent sur l'afficheur de manière à faciliter la localisation des pannes:

- En cas de défaillance, le code d'erreur clignote.
- Lorsque plusieurs défauts surviennent, les messages d'erreur sont affichés en alternance.
- La touche  permet de valider le dépannage.


Si le défaut ne peut pas être éliminé, contacter le service après-vente.



Global Service Division

#1 Walter Kratz Drive

Jonesboro, Arkansas 72401

 (800) 793 6534





Erreur	Description	Dépannage
	Réservoir de condensat plein (uniquement en cas d'utilisation du réservoir de condensation d'origine)	Vider le réservoir de condensation.
	Panne de pompe à condensat	
	Capteur de température chauffage (système d'air conditionné)	
	Capteur de température refroidissement (système d'air conditionné)	
	Défaut capteur de température des lampes à décharge UV basse pression	
	Sonde de température locale	
	Interrupteur à disque lampes solaires pour épaules	
	Interrupteur à palette n'est pas enclenché alors que le ventilateur marche	
	Interrupteur à palette n'est pas désenclenché 1 minute après déclenchement du ventilateur	
	Défaut bronzeur facial AV	





Erreur	Description	Dépannage
	Défaut bronzeur facial milieu	
	Défaut bronzeur facial AR	
	Défaut bronzeur facial partie latérale	
	Interrupteur à disque plaque décoratrice partie supérieure	
	Interrupteur à disque plaque de verre acrylique partie inférieure/latérale	
	Dépassement par excès du temps de déconnexion d'urgence	
	Défaut de bus PC	
	Panne dans le circuit en série des interrupteurs de sécurité	
	Contrôleur supplémentaire	
	Contrôleur de chauffage	



Erreur	Déscription	Dépannage
	Contrôleur de bronzeurs faciaux	
	Régulateur de vitesse 1	
	Régulateur de vitesse 2	
	Amplificateur audio	
	Sélection du canal	
	Horloge	
	Mémoire paramètres	
	Mauvais équipement de la commande	



Index alphabétique

A

Accessoires	103
Aperçu	
Maintenance	128
Service	110

C

Caractéristiques techniques	123
Changer les lampes	
Lampes solaires pour épaules	137
Charge maximale autorisée	124, 125
Codes d'erreur	164
Consommation	123
Contact	109
Coupe-circuits	127
Couper la tension	127

D

Début de la séance de bronzage	112
Defauts	164
Définir un code, Réglages préliminaires ...	160
Désinfection	105
Directives	102
Durée de fonctionnement des lampes décoratives	114

E

Éclairage de décoration dans la partie supérieure, changer	150
Éclairage de décoration dans le panneau frontal, changer	151
Éclairage intérieur, changer	142
Élimination de matériaux recyclables	106
Emballage	106
Entretien	104
Équipement	102
Évacuation des lampes	106
Exportation	102

F

Filters dans la partie inférieure, nettoyer ...	152
Fonctionnement	
Bronzeur pour épaules	117
Bronzeurs faciaux	115
Canal musical	121
Volume	122
Fréquence	123

G

Global Service Division	89
-------------------------------	----

I

Instructions relatives au remplacement des lampes, généralités	134
Intervalle de maintenance	130
Lampes UV	132
Intervalle de nettoyage	128

L

Lampes à décharge UV basse pression (Changer)	
Lampes solaires pour épaules	137
Partie inférieure	135
Partie latérale	139
Partie supérieure	140
Lampes à décharge UV haute pression (Changer)	
Partie latérale	144
Partie supérieure	147
Lampes solaires pour épaules	
Nattes filtrantes	155

M

Maintenance et entretien	104
Modifier les réglages préliminaires	159

Index alphabétique

N

Natte filtrante du système d'air conditionné, nettoyer/changer 157
 Nattes filtrantes dans la partie supérieure, nettoyer/changer 154
 Nattes filtrantes des lampes solaires pour épaules, nettoyer/changer 155
 Nettoyage 105
 Notice générale pour le bronzage..... 107
 Numéros de commande 130, 131, 132

O

Obligations de l'exploitant..... 96

P

Panneaux filtrants, nettoyer 146, 149
 Peau, durées de bronzage 107
 Pièces détachées 104
 Pour interrompre la séance de bronzage . 113
 Poursuite du ventilateur 112
 Pouvoir de coupure nominal 123
 Proper use 10
 Protection de l'environnement 106
 Puissance consommée..... 123

R

Refroidissement du corps 119
 Réglages pendant le démarrage..... 113
 Réglages préliminaires..... 159, 162

S

Surfaces en plastique..... 105
 Système d'air conditionné, maintenance .. 157

T

Température / humidité ambiantes maximum..... 124
 Temps de bronzage 91
 Temps de préparation 112
 Tension 123
 Tolérance solarium dans la pièce 124
 Types de peau 90

U

Utilisation conforme..... 96

V

Verre axrylique, nettoyage 105
 Vider le réservoir à condensation..... 157

Garantie limitée Soltron

Soltron garantit pendant une durée de trois (3) ans à partir de la date de l'achat que ses produits sont libres de toute non-conformité de matériau et de main-d'oeuvre pour une utilisation normale telle qu'elle est décrite dans le Manuel de manipulation et d'instructions de l'unité.

La garantie limitée est valable pour l'acquéreur d'origine de l'équipement par les soins de Soltron ou du vendeur ou distributeur autorisé ; elle n'est pas transférable.

Les obligations de Soltron au titre de la présente garantie sont limitées à la réparation ou le remplacement des pièces non conformes sans charge pour ladite pièce pour l'acquéreur d'origine, avec les exceptions suivantes :

- A. Les lampes fluorescentes sont garanties contre les défauts pendant une période de trente (30) jours à partir de la date de l'achat.
- B. Seules peuvent être utilisées les pièces acquises auprès de Soltron, de ses revendeurs et distributeurs autorisés. Les frais de transport pour les pièces expédiées l'acquéreur et le retour des pièces défectueuses à Soltron ne sont pas compris.
- C. Les travaux sont uniquement délivrés sans charge pendant une durée de quatre-vingt dix (90) jours à partir de la date de l'achat. Tous les travaux et frais en relation avec ceux-ci doivent être autorisés par Soltron avant de commencer la réparation et doivent être conformes aux barèmes et à la pratique de répartition dans le temps établis par Soltron.

D. Matériau acrylique : Selon la pratique de garantie du fabricant du matériau acrylique.

Il est absolument indispensable que l'acquéreur d'origine remplisse et retourne la carte de garantie incluse dans les 10 jours après l'achat pour assurer un enregistrement valable et la couverture des recours éventuels.

Si la carte de garantie n'est pas enregistrée, le recours en garantie ne sera pris en considération qu'après établissement de la preuve d'un achat auprès de Soltron ou d'un vendeur ou distributeur agréé par celle-ci. Cette procédure peut entraîner un retard du service.

La garantie est élargie à la personne physique ou morale dont le nom apparaît sur la carte d'enregistrement déposée auprès de Soltron, ou dont le nom apparaît dans le document de vente original ; elle ne peut pas être transférée à une autre personne physique ou morale.

La présente garantie ne s'applique pas dans les cas de défaillance du produit ou d'une pièces quelconque du produit due à des altérations, des modifications, des utilisations interdites, des accidents, une maintenance non conforme, une installation non conforme, les catastrophes naturelles, ou si le numéro de série sur le produit a été changé, altéré ou effacé. Un emballage adéquat sera utilisé pour retourner les pièces afin de prévenir les dommages.

Il n'existe pas de garantie au delà de celle décrite ci-dessus. Il n'y a pas de garantie expresse ou implicite de bon fonctionnement et de valeur loyale et marchande.

Garantie

Les prestations accordées au titre de la présente garantie limitée sont les seules prestations délivrées à l'acquéreur par Soltron et sont accordées à titre de substitution par rapport à toutes les autres prestations. Les dommages consécutifs et incidents sont exclus.

Personne, aucune société ni aucun établissement ne peut obliger Soltron à un titre quelconque pour l'acquisition ou l'utilisation des choses ci-dessus.

Garantie limitée du matériau acrylique

Soltron garantit pendant une durée de un (1) an à partir de la date d'achat du solarium que les panneaux acryliques sont exempts de toute non-conformité de matériau et de main-d'œuvre, pour une utilisation normale. Cette garantie ne s'étend pas aux altérations dues aux lotions de solarium, produits cosmétiques, désinfectants et agents de nettoyage non conformes appliqués sur les surfaces du solarium et ne pouvant pas être contrôlés par Soltron au delà de la première période de garantie de trente (30) jours. Le verre acrylique sera facturé à un montant proportionné aux frais de l'acquéreur en cas de bris.

Les obligations de Soltron ne s'étendent pas aux frais de transport et au remplacement de la surface acrylique.

Soltron n'endosse aucune responsabilité pour les frais de démontage des feuilles et l'installation des feuilles de rechange, ni pour les dommages aux personnes et aux biens.

Pour tout recours en garantie, contactez le vendeur ou le distributeur autorisé de Soltron ou le Global Service Division en mentionnant le numéro du modèle, le numéro de série et la date de l'acquisition de la banquette sur laquelle la surface acrylique est utilisée.

Il n'existe pas de garantie au delà de celle décrite ci-dessus. Il n'y a pas de garantie expresse ou implicite de bon fonctionnement et de valeur loyale et marchande.

Les prestations accordées au titre de la présente garantie limitée sont les seules prestations délivrées à l'acquéreur par Soltron et sont accordées à titre de substitution par rapport à toutes les autres prestations. Les dommages consécutifs et incidents sont exclus.

Global Service Division

#1 Walter Kratz Drive

Jonesboro, Arkansas 72401

☎ (800) 793 6534

Recours en garantie

Pratique et procédure

1. Pour une demande de recours en garantie

Si votre solarium ne fonctionne pas correctement dans les conditions normales d'utilisation décrites par le Manuel de manipulation et d'instructions de l'unité, vous pouvez déposer une demande de recours en garantie.



NOTE : Préalablement à toute prise en considération de la demande de recours en garantie, le solarium et le propriétaire légalement enregistré doivent satisfaire aux critères de garantie limitée de Soltron du présent manuel.

2. A qui s'adresser pour une demande de recours en garantie :

Soltron entretient un réseau étendu de vendeurs et de distributeurs nationaux dans la plupart des pays où sont vendues les unités. Ces vendeurs et distributeurs sont tenus par contrat de tenir en magasin une réserve suffisante de pièces pour couvrir les différentes nécessités de la garantie et des réparations hors garantie pour leurs clients.

Toutefois, pour adresser correctement votre recours en garantie, vous devez être en possession du nom et du numéro de téléphone du vendeur ou du distributeur auprès duquel vous avez acquis votre unité. Normalement, cette information est facile à trouver sur votre facture ou autre document établissant la vente et que vous avez reçu à la livraison de l'unité.

Ensuite, communiquez au vendeur ou au distributeur le numéro de série, le numéro de modèle et la date à laquelle l'unité a été acquise. La procédure de recours en garantie est alors engagée.

Jusqu'à ce que le problème soit localisé, votre vendeur ou distributeur peut vous approvisionner avec la ou les pièces et vous donner les instructions appropriées pour retourner votre unité avec un ordre de travail.

Chaque vendeur et distributeur applique une procédure qui lui est propre pour le suivi des recours et des crédits en garantie.

NOTE : Le fabricant Soltron n'intervient pas lui-même dans le suivi direct du recours en garantie, sauf les cas de litiges et les cas dans lesquels cette intervention est requise par la loi.

Recours en garantie sur les pièces / Revue de crédit

1. L'acquéreur appelle Soltron et notifie le problème au Département Service.
2. Le Département Service de Soltron fixe la marche à suivre.
3. Soltron expédie les pièces et R.A.I. à la charge de l'acquéreur pour le fret et établit la facture payable à 30 jours nets, uniquement pour les pièces.
4. Dans les 15 jours suivant la nouvelle pièce, l'acquéreur retourne la pièce défectueuse à Soltron avec R.A.I.
5. Jusqu'à la réception de la part défectueuse et du R.A.I., Soltron établit un débit de crédit à l'ordre de l'acquéreur compensant le montant de la facture originale. Le compte de l'acquéreur est remis à zéro pour ce qui concerne ce recours.



NOTE : S'il s'avère que la pièce retournée à Soltron est opérationnelle et ne présente pas de défaut ou si le numéro de la pièce n'est pas identique aux informations de l'unité individuelle sur le fichier de Soltron, un supplément de 30% sera facturé en plus du prix de vente au détail de la pièce.

Il n'est pas nécessaire que la présente convention ait été agréée pour que les conditions ci-dessus s'appliquent.

Recours en garantie de travail / Procédures de crédit

Soltron fournit le travail sans frais pendant une durée de 90 jours à partir de la date de l'achat. Tous les travaux et frais en relation avec ceux-ci doivent être autorisés par Soltron avant de commencer la réparation et doivent être conformes aux barèmes et à la pratique de répartition des travaux dans le temps établis par Soltron.

Veuillez contacter notre Département Service pour l'authentification et les procédures de facturation.

Garantie limitée pendant la durée de vie utile

Soltron garantit les composantes spécifiques individuelles du solarium professionnel contre les non-conformités de matériau et de main-d'œuvre pendant la durée de vie utile du produit. Cette garantie est limitée aux unités qui ont été acquises après le 1^{er} novembre 1994.

La présente garantie est limitée aux composantes ci-dessous :

- Les panneaux arrière en acier
- Les composantes des structures de cadre d'acier
- Le corps extérieur d'acier



NOTE : La garantie pour lesdites composantes s'entend sur une base individuelle et n'est pas valable pour le produit complet.

Ladite garantie n'inclut pas les anomalies esthétiques telles que les rayures, les entailles, les dents, l'oxydation de la peinture ou autres modifications esthétiques qui n'ont pas d'incidence sur le fonctionnement de l'unité tel qu'il est prévu.

Ladite garantie ne s'étend pas aux défaillances du produit dues au vieillissement, aux modifications, aux erreurs de manipulation, aux erreurs de maintenance, aux erreurs d'installation et de réparation.

Ladite garantie n'est pas transférable, elle est valable uniquement pour l'acquéreur d'origine dont le nom est transmis et inscrit sur le registre de garantie du quartier général de Soltron.

Les obligations de Soltron ne s'étendent pas aux frais de transport pour l'expédition de composantes nouvelles à l'acquéreur ni au retour au fabricant des pièces défectueuses. L'acquéreur supporte toutes les dépenses de fret.

Il n'existe pas de garantie au delà de celle décrite ci-dessus. Il n'y a pas de garantie expresse ou implicite de bon fonctionnement et de valeur loyale et marchande.

Les prestations accordées au titre de la présente garantie limitée sont les seules prestations délivrées à l'acquéreur par Soltron et sont accordées à titre de substitution par rapport à toutes les autres prestations. Les dommages consécutifs et incidents sont exclus.



Remarque : Toute utilisation interdite ou abusive, toute modification, altération, maintenance non conforme, installation non conforme, etc., du produit ci-dessus ou de son utilisation normale entraînent la responsabilité directe de l'auteur et la prise en charge de toutes les conséquences qui en résultent. De plus, lesdites actions entraînent la perte de toutes les garanties et libèrent Soltron de toutes ses obligations concernant ledit produit.

